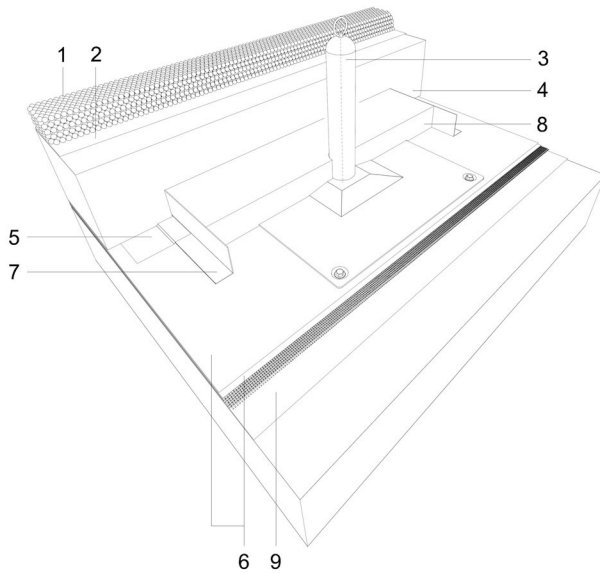
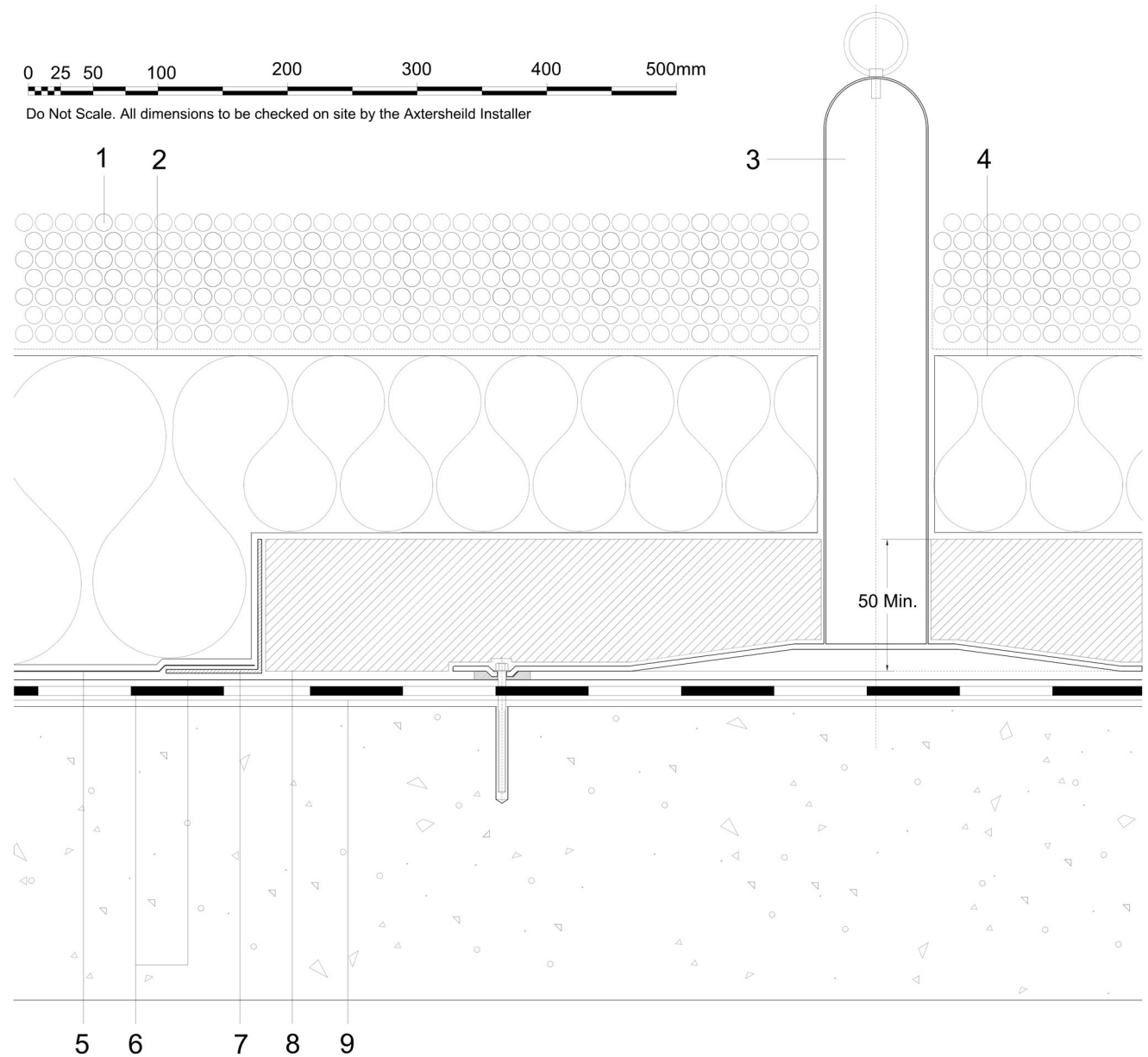


- 1 20-40mm rounded aggregate ballast with no fines installed to a min. depth of 50mm
- 2 Axter breather membrane sealed with tape
- 3 Fall arrest post by specialist contractor
- 4 Axter inverted insulation to achieve design U-value
- 5 Wilotekt-Plus detail membrane
- 6 Wilotekt-Plus structural waterproofing system
- 7 Pitch pocket retaining angle
- 8 Axter Wilotekt-Plus elastomer bitumin compound to form pitch pocket
- 9 Wilotekt-Plus primer



Do Not Scale. All dimensions to be checked on site by the Axtersheid Installer



Axter provide detail drawings as part of our technical design service. Such drawings should only be used as a guide during the design process and should not be utilised during construction. Axter accepts no liability for misuse of this service.

PROJECT	
CLIENT	

DRAWING		
WILOTEKT-PLUS FALL ARREST POST DETAIL		
DWG.N°	SCALE	DATE
W140.11	NTS	

AXTER LTD
 West Road, Ransomes
 Europark, Ipswich,
 Suffolk, IP3 9SX.
 Tel: (01473) 724056
 Fax: (01473) 723263
 info@axterltd.co.uk

