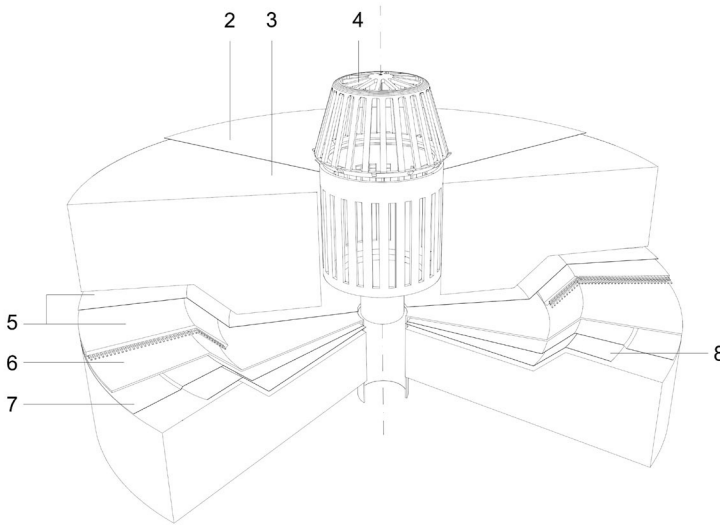
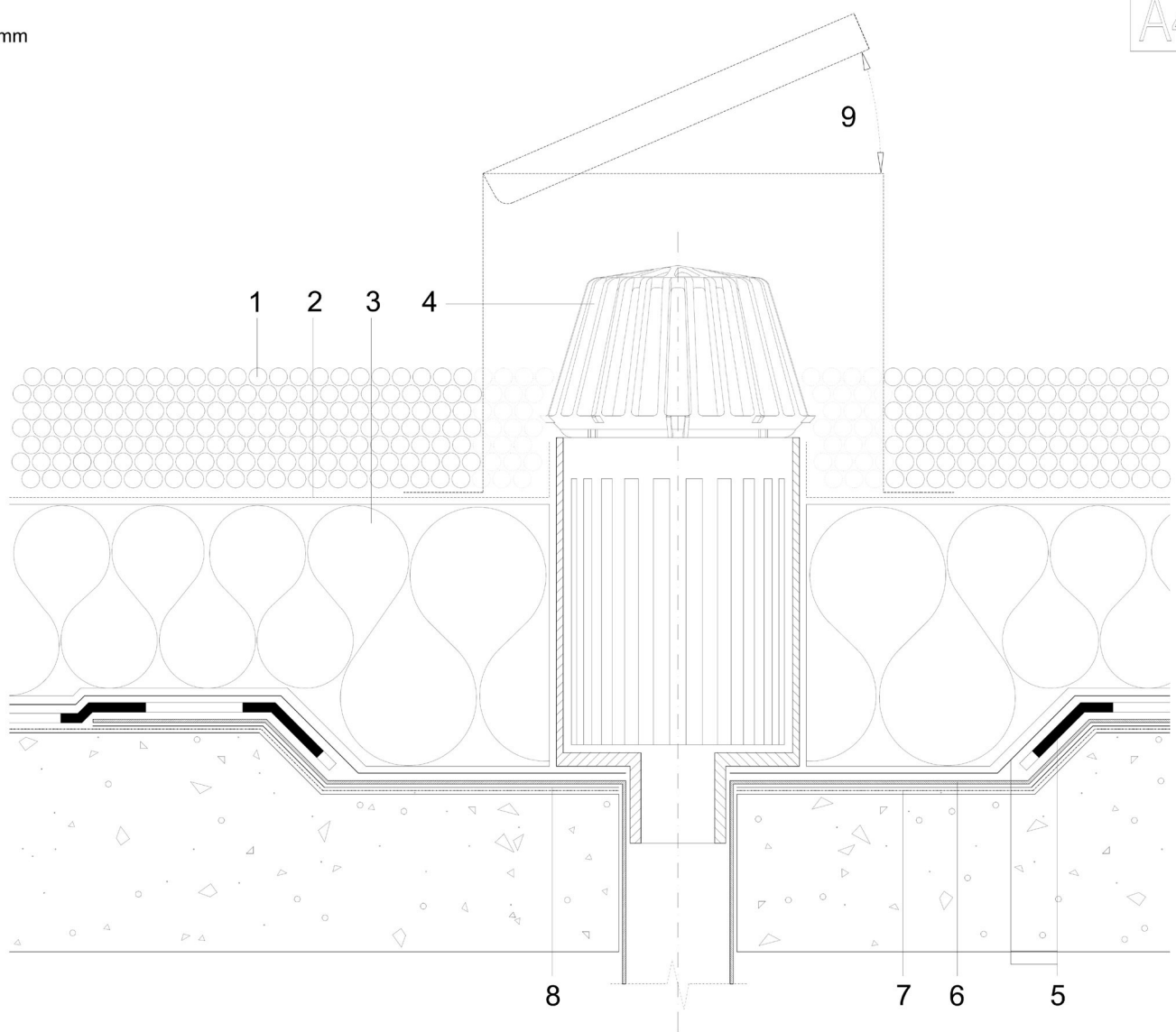


- 1 20-40mm rounded aggregate ballast with no fines installed to a min. depth of 50mm
- 2 Axter breather membrane sealed with tape
- 3 Axter inverted insulation to achieve design U-value
- 4 Axter outlet leaf guard
- 5 Wilotekt-Plus structural waterproofing system
- 6 Axter outlet of appropriate diameter
- 7 Wilotekt-Plus primer
- 8 Wilotekt-Plus Membrane slip layer
- 9 Axter inspection chamber (optional)



1. Ballast omitted
9. Optional inspection chamber omitted



Do Not Scale. All dimensions to be checked on site by the Axtersheid Installer

<p>Axter provide detail drawings as part of our technical design service. Such drawings should only be used as a guide during the design process and should not be utilised during construction. Axter accepts no liability for misuse of this service.</p>	PROJECT	DRAWING			<p>AXTER LTD West Road, Ransomes Europark, Ipswich, Suffolk, IP3 9SX. Tel:(01473)724056 Fax:(01473)723263 info@axterltd.co.uk</p>	
	CLIENT	<p>WILOTEKT-PLUS (AXTER) OUTLET DETAIL</p>		DWG.N°		
		<p>W20.11 Axter Outlet</p>		<p>NTS</p>		