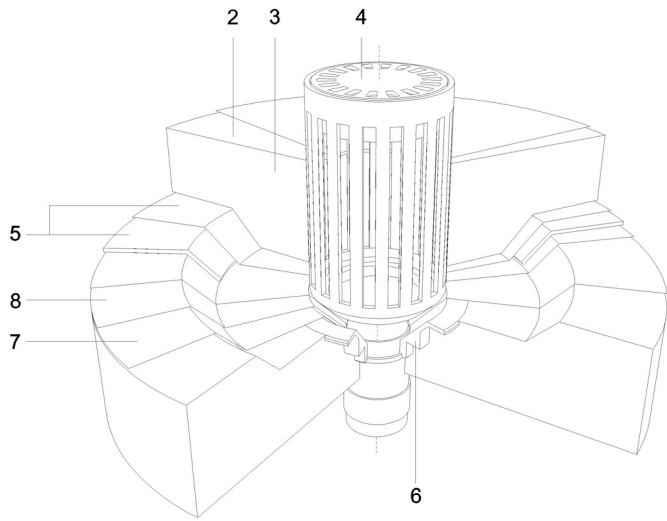
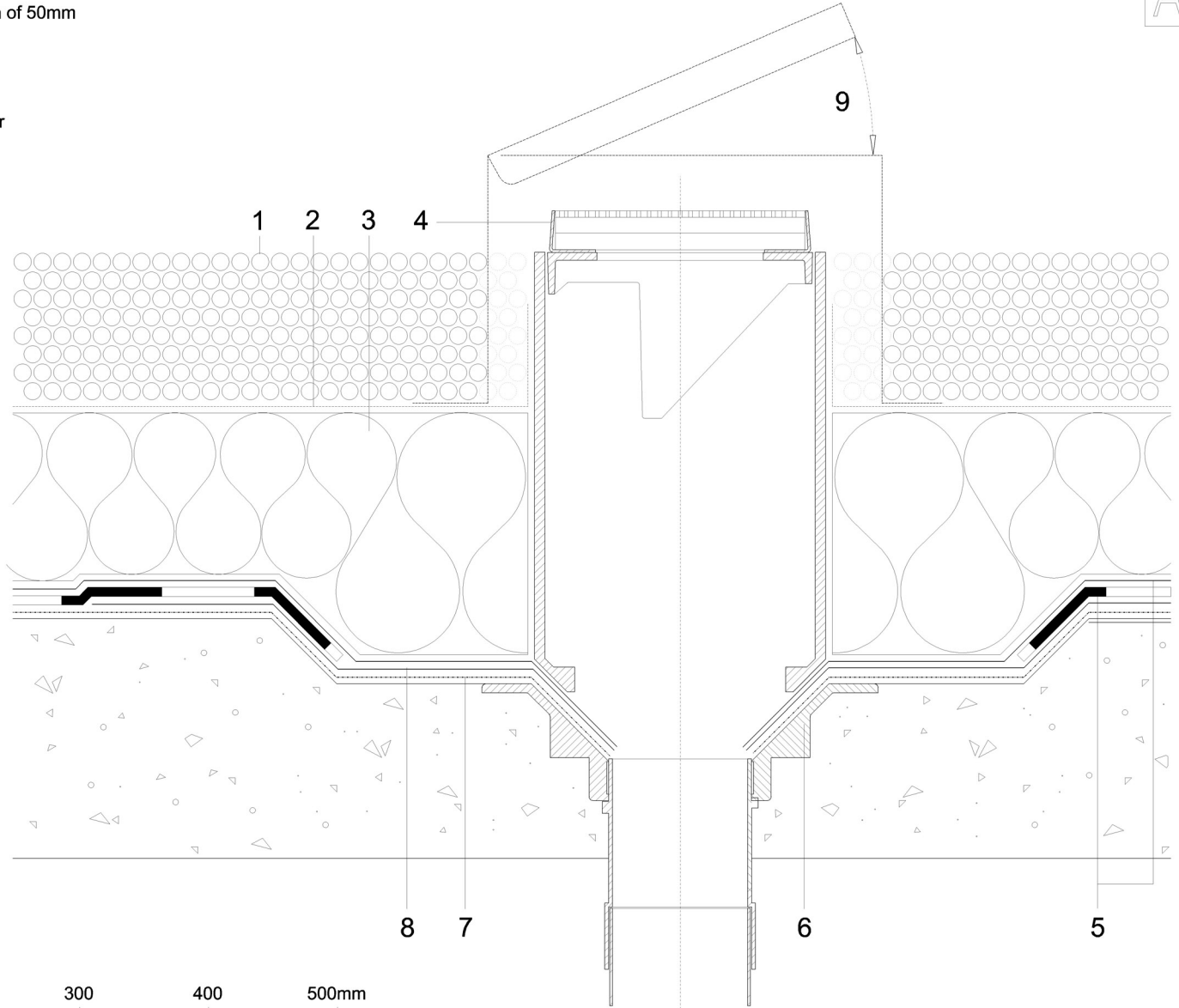


- 1 20-40mm rounded aggregate ballast with no fines installed to a min. depth of 50mm
- 2 Axter breather membrane sealed with tape
- 3 Axter inverted insulation to achieve design U-value
- 4 Leaf guard raising piece by specialist outlet manufacturer
- 5 Wilotekt-Plus structural waterproofing system
- 6 Cast in-situ outlet of appropriate diameter by specialist outlet manufacturer
- 7 Wilotekt-Plus primer
- 8 Wilotekt-Plus Membrane slip layer
- 9 Axter inspection chamber (optional)



1. Ballast omitted  
9. Optional inspection chamber omitted



Do Not Scale. All dimensions to be checked on site by the Axtersheidl Installer

Axter provide detail drawings as part of our technical design service. Such drawings should only be used as a guide during the design process and should not be utilised during construction. Axter accepts no liability for misuse of this service.

PROJECT	DRAWING		
	WILOTEKT-PLUS CAST IN-SITU OUTLET DETAIL		
CLIENT	DWG.N°	SCALE	DATE
	W20.11 Cast In-Situ Outlet	NTS	

AXTER LTD West Road, Ransomes Europark, Ipswich, Suffolk, IP3 9SX. Tel:(01473)724056 Fax:(01473)723263 info@axterltd.co.uk	
--	--

