

FORCE MB 40 PY 180

POLYESTER REINFORCEMENT

USAGE

FORCE MB 40 PY 180 has been designed for a high performance waterproofing system under heavy and light or normal protection for accessible or non accessible terraces and roofs.

FORCE MB 40 PY 180 membranes are applied by torching. Full bond techniques are used but FORCE MB 40 PY 180 can be partially bonded or loose laid under ballast.

FORCE MB 40 PY 180 is suitable for new roofs but also for renovating roofs.

On a concrete deck, a slope of 0% is allowed with a bridge torch-on Stickflex strip, 25cm wide. In other cases, a slope of 1% is recommended.

PRODUCT

FORCE MB 40 PY 180 is a range of single layer torchable membranes comprising SBS modified bitumen and polyester reinforcement of 180g/m².

The undersurface of FORCE MB 40 PY 180 is finished with a plastic film and the surface with sand.

SBS bitumen, combined with the high tensile strength of polyester, provides an excellent resistance to tearing and to permanent deformation or puncture.

SBS also provides an excellent resistance to ageing, good flexibility at low temperatures, stability at high temperatures and greater capacity to bridge movements of cracks and joints and to accommodate repeated thermal and mechanical movement of the roof.

PERFORMANCE OF FINISHED PRODUCT

Tensile strength :	650N/S cm
Elongation :	40%
Resistance to point loading :	over 25kg
Tear resistance :	25daN

COMPOSITION

Non-woven polyester :	0.180kg/m ²
Elastomeric bitumen :	4.300kg/m ²
Sand :	0.250kg/m ²
Plastic film :	0.010kg/m ²



ADVANTAGES

- Very good torch on characteristics
- Safe and strong system
- Excellent stability and good flexibility to accommodate repeated movements of the deck
- Improved resistance to tearing, permanent deformation and puncture
- Good resistance to ageing.

ELASTOMER SBS BITUMEN

Elongation	: 1,500%
Penetration at 25°C	: 40
Softening point	: 125°C
Cold flexibility	: -20°C
Tensile strength	: 70N/cm ²

Packaging

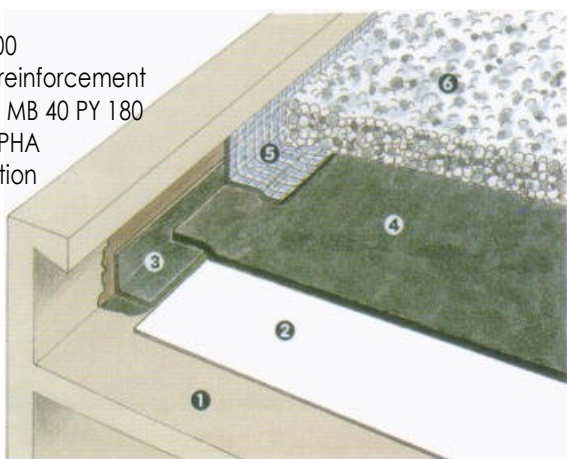
Roll	: 10m × 1m
Weight	: 47.3kg
Width	: 1m
Thickness	: 4mm
Weight per m ²	: 4.7kg/m ²



FORCE MB 40 PY 180

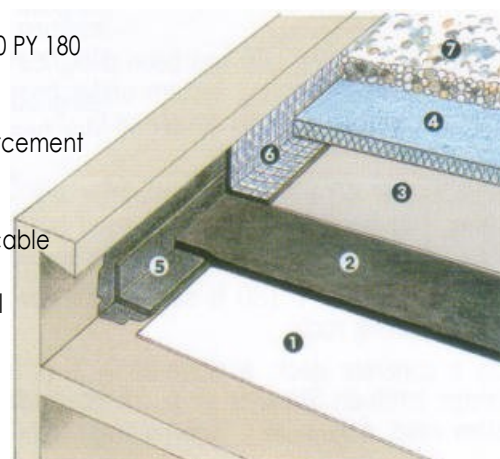
CONCRETE DECK WITHOUT INSULATION

- 1 Deck
- 2 MAT 100
- 3 Angle reinforcement
- 4 FORCE MB 40 PY 180
- 5 PAXALPHA
- 6 Protection



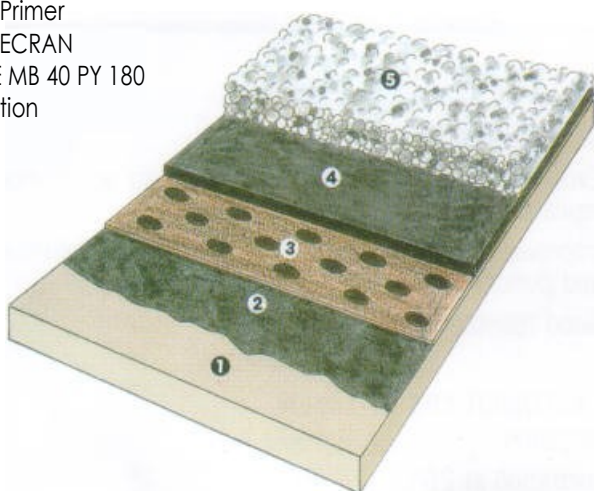
Loose laid system

- 1 MAT 100
- 2 FORCE MB 40 PY 180
- 3 MAT P
- 4 Insulation
- 5 Angle reinforcement
- 6 PAXALPHA
- MAT P when applicable
- 7 Protection tiles or gravel

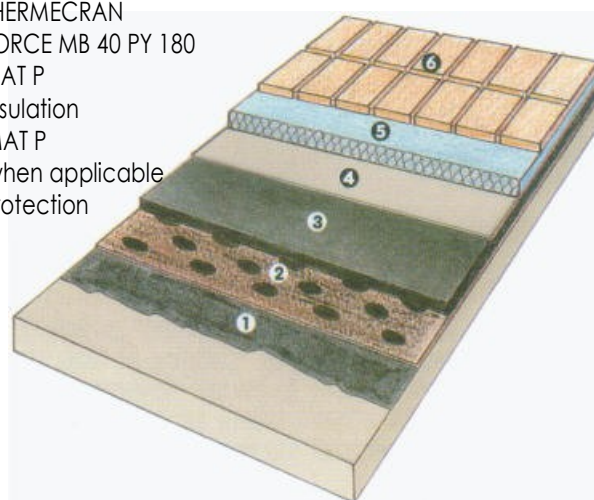


Partially bonded system

- 1 Deck
- 2 AXTER Primer
- 3 THERMECRAN
- 4 FORCE MB 40 PY 180
- 5 Protection

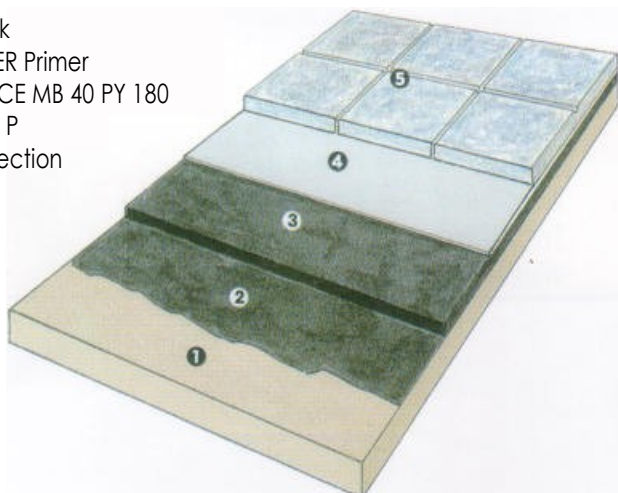


- 1 AXTER Primer
- 2 THERMECRAN
- 3 FORCE MB 40 PY 180
- 4 MAT P
- 5 Insulation
- MAT P when applicable
- 6 Protection



Fully torch on system

- 1 Deck
- 2 AXTER Primer
- 3 FORCE MB 40 PY 180
- 4 MAT P
- 5 Protection



- 1 AXTER Primer
- 2 FORCE MB 40 PY 180
- 3 MAT P
- 4 Insulation
- MAT P when applicable
- 5 Protection

