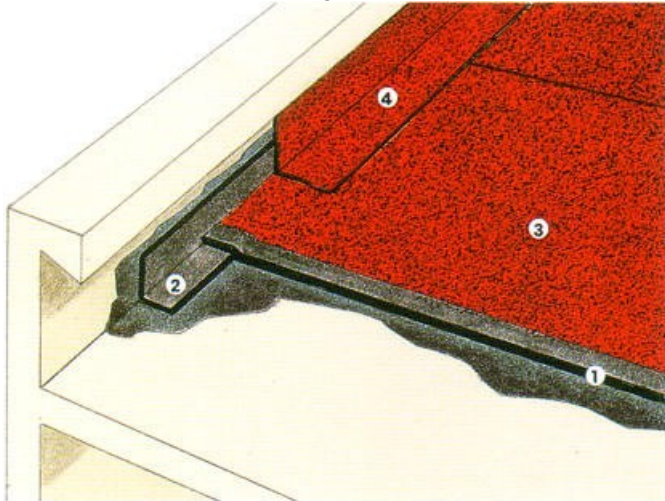


EXPOSED ROOFS

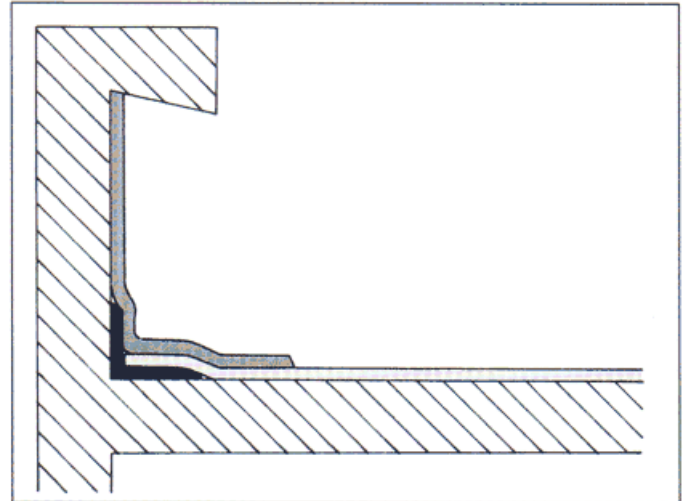
DETAILS

These drawings are recommended by the manufacturer to give a way of fixing in situ but could be amended following local regulations in consultation with the manufacturer.

Upstands on waterproofing system without insulation

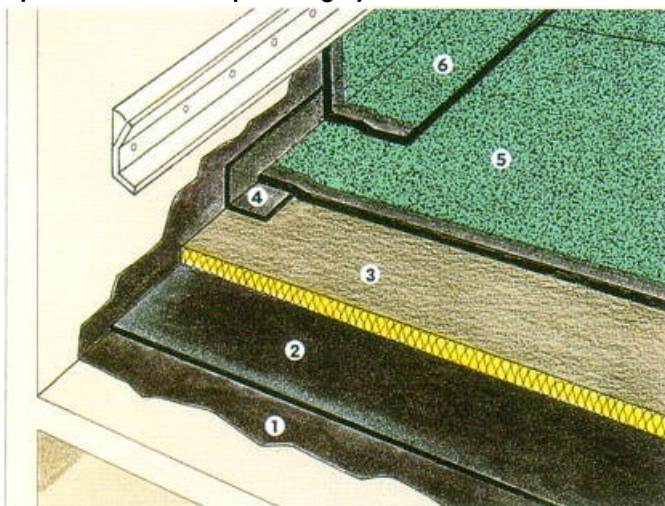


- ❶ AXTER Primer.
- ❷ HYRENE 35 PY reinforcement strip 10cm × 10cm.

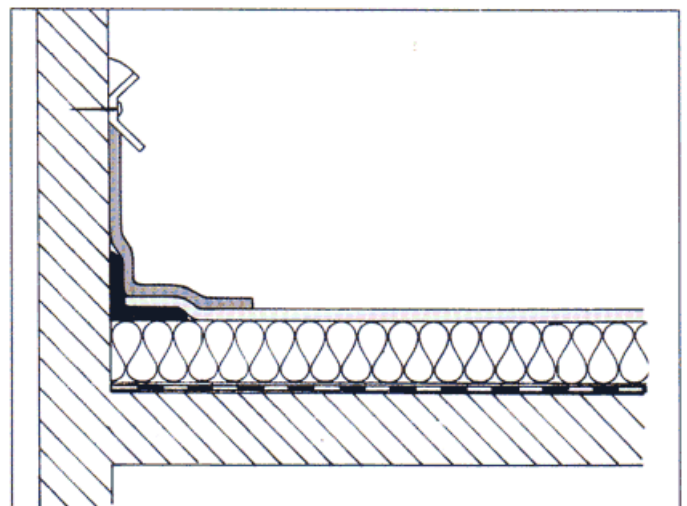


- ❸ AXTER single layer membrane: FORCE self protected, ARMA CPV Colour or EXCEL HR.
- ❹ PAXALPHA or FORCE or EXCEL HR.

Upstands on waterproofing system with insulation



- ❶ AXTER Primer.
- ❷ Vapour barrier.
- ❸ Surfaced insulation.



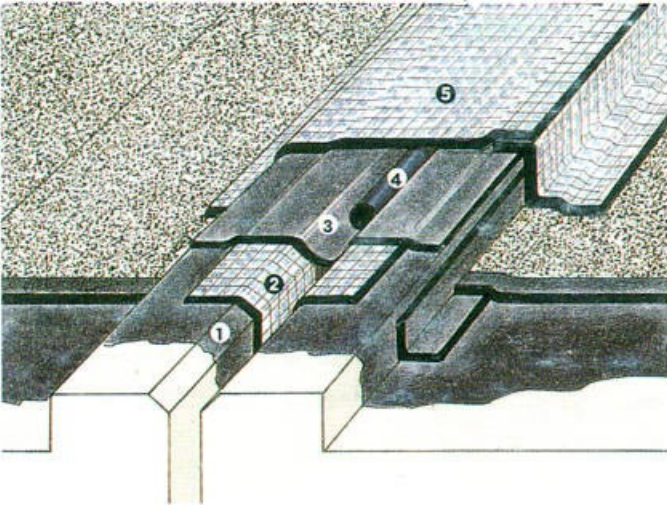
- ❹ HYRENE 35 PY reinforcement strip 10cm × 10cm.
- ❺ FORCE self protected, ARMA CPV Colour or EXCEL HR.
- ❻ PAXALPHA or FORCE or EXCEL HR.



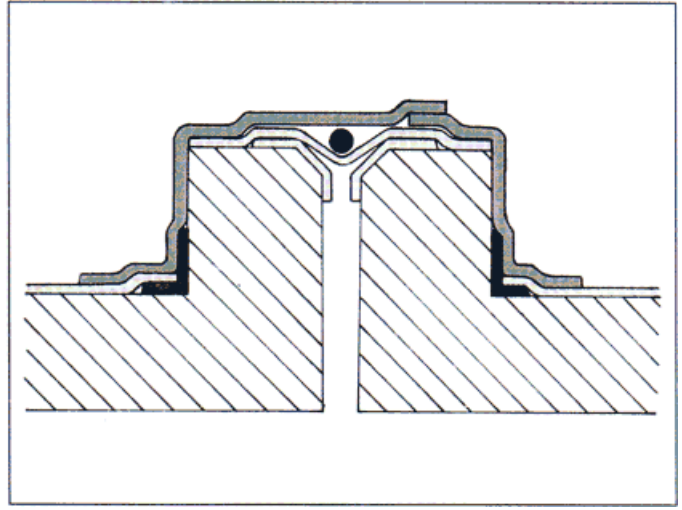
Axter Ltd
West Road
Ransomes Europark
Ipswich
Suffolk
IP3 9SX

tel: 01473 724 056
fax: 01473 723 263
email: sales@axterltd.co.uk
web: www.axter.co.uk

Movement joint details

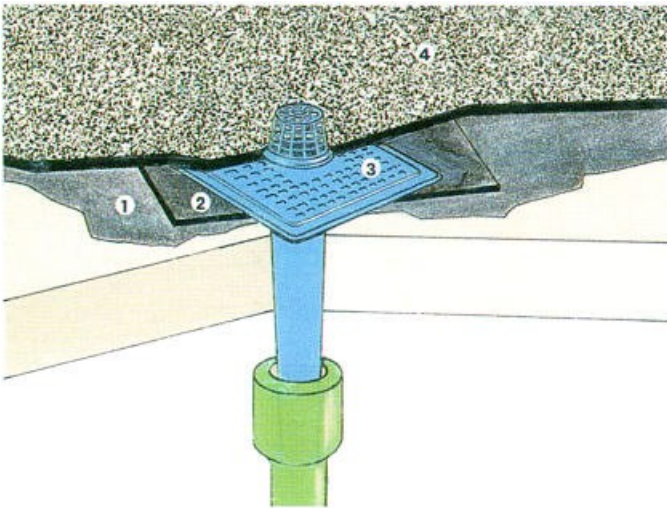


- ❶ AXTER Primer.
 - ❷ PAXALPHA or ARMALU.
 - ❸ EXCEL JOINT 0.33 or 0.50.
- Loose laid over aluminium sheet, torched on the lap.

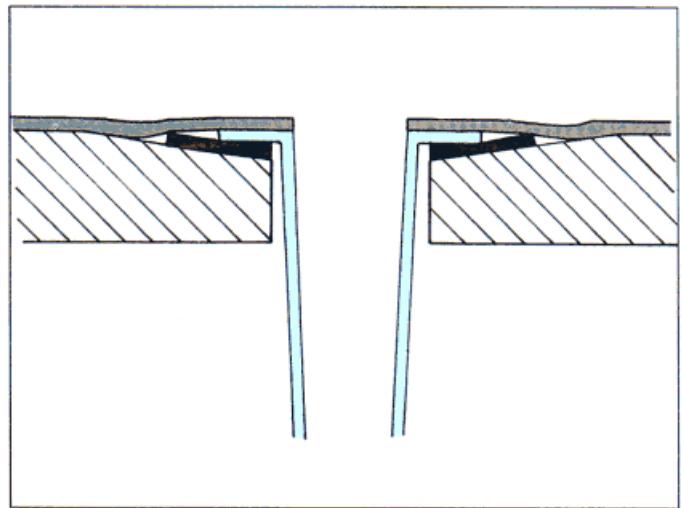


- ❹ BUTYL CORD.
- ❺ PAXALPHA, ARMALU, FORCE or EXCEL HR.

Rainwater outlet details

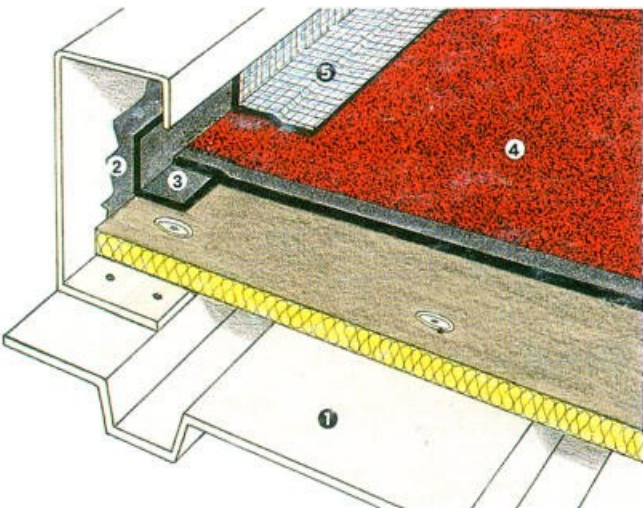


- ❶ AXTER Primer.
- ❷ HYRENE TS 50cm × 50cm soaker torched onto primer.

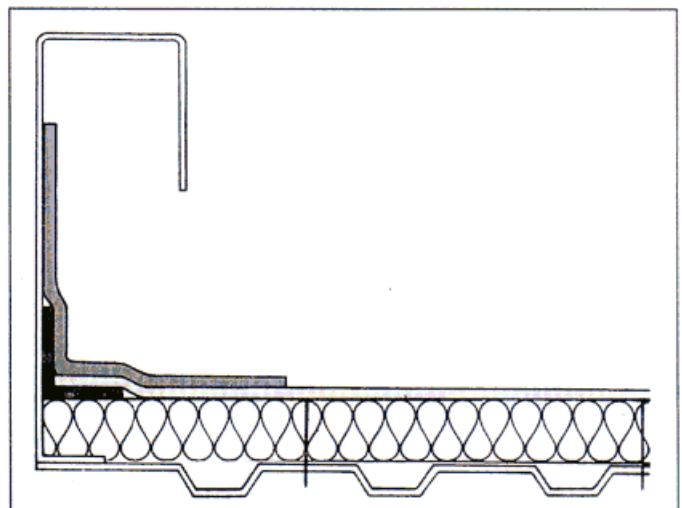


- ❸ AXTER rainwater outlet.
- ❹ AXTER single layer: FORCE or EXCEL HR range.

Upstand on steel deck



- ❶ Metal deck.
- ❷ AXTER Primer.
- ❸ HYRENE 35 PY 10cm × 10cm reinforcement strip.



- ❹ AXTER single layer: FORCE or EXCEL HR.
- ❺ PAXALPHA, ARMALU, FORCE or EXCEL.