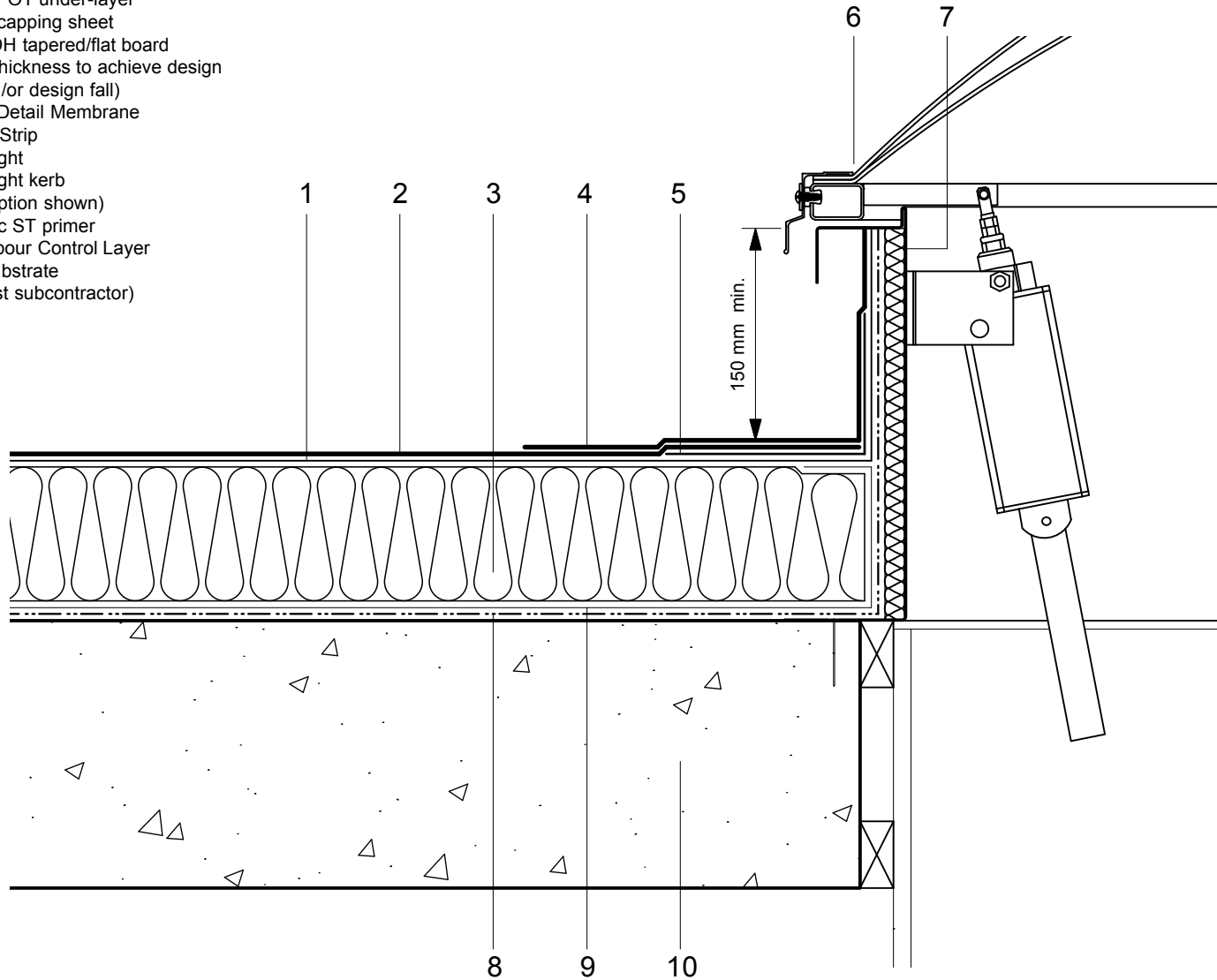
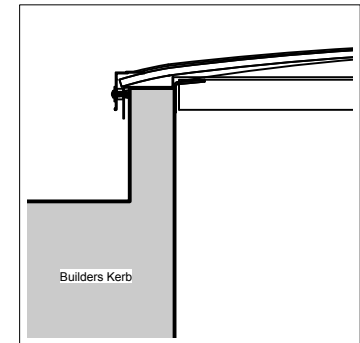
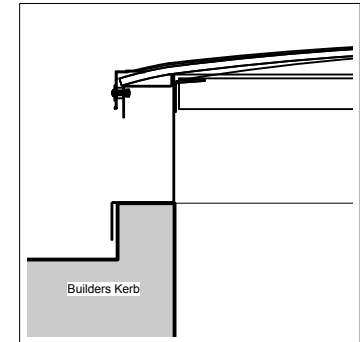
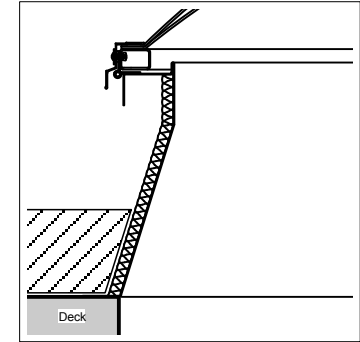


- 1 Hyranger SPOT under-layer
- 2 Excel HRS capping sheet
- 3 Hytherm ADH tapered/flat board
Insulation (thickness to achieve design
U-value and/or design fall)
- 4 Excel HRS Detail Membrane
- 5 35py Angle Strip
- 6 Axter Rooflight
- 7 Axter Rooflight kerb
(Full Kerb option shown)
- 8 Vernis Antac ST primer
- 9 VAP AL Vapour Control Layer
- 10 Concrete substrate
(by specialist subcontractor)



kerb options



Do Not Scale. All dimensions to be checked on site by the Axtershield Installer

Axter provides detail drawings as part of our technical design service. Such drawings should only be used as a guide during the design process and should not be utilised during construction. Axter accepts no liability for misuse of this service.

PROJECT	AXTER - STANDARD DETAIL
DRAWING NUMBER	WR.C.EX.040

DRAWING	AXTER WARM ROOF - EXCEL/SPOT SYSTEM TYPICAL UPSTAND DETAIL TO AXTER ROOFLIGHT - CONCRETE SUBSTRATE	
SCALE	1:5 @ A4	DATE
		2014

AXTER LTD
West Road, Ransomes
Europark, Ipswich,
Suffolk, IP3 9SX.
Tel: (01473) 724056
Fax: (01473) 723263
info@axterltd.co.uk

