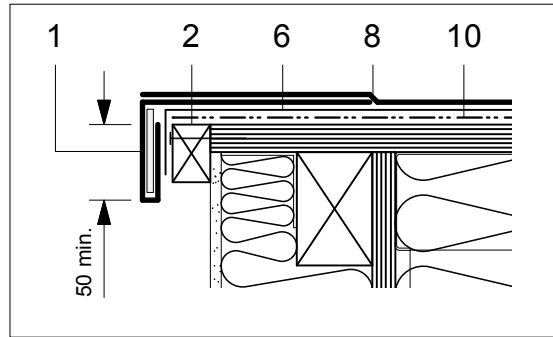
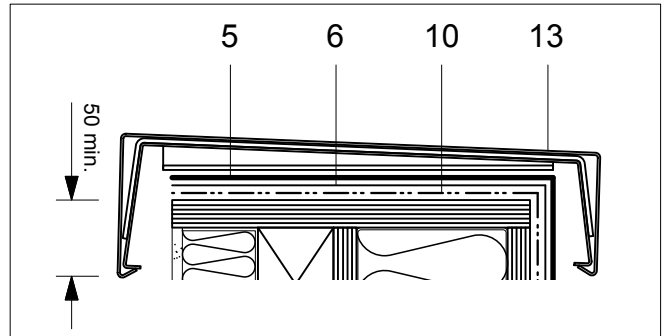
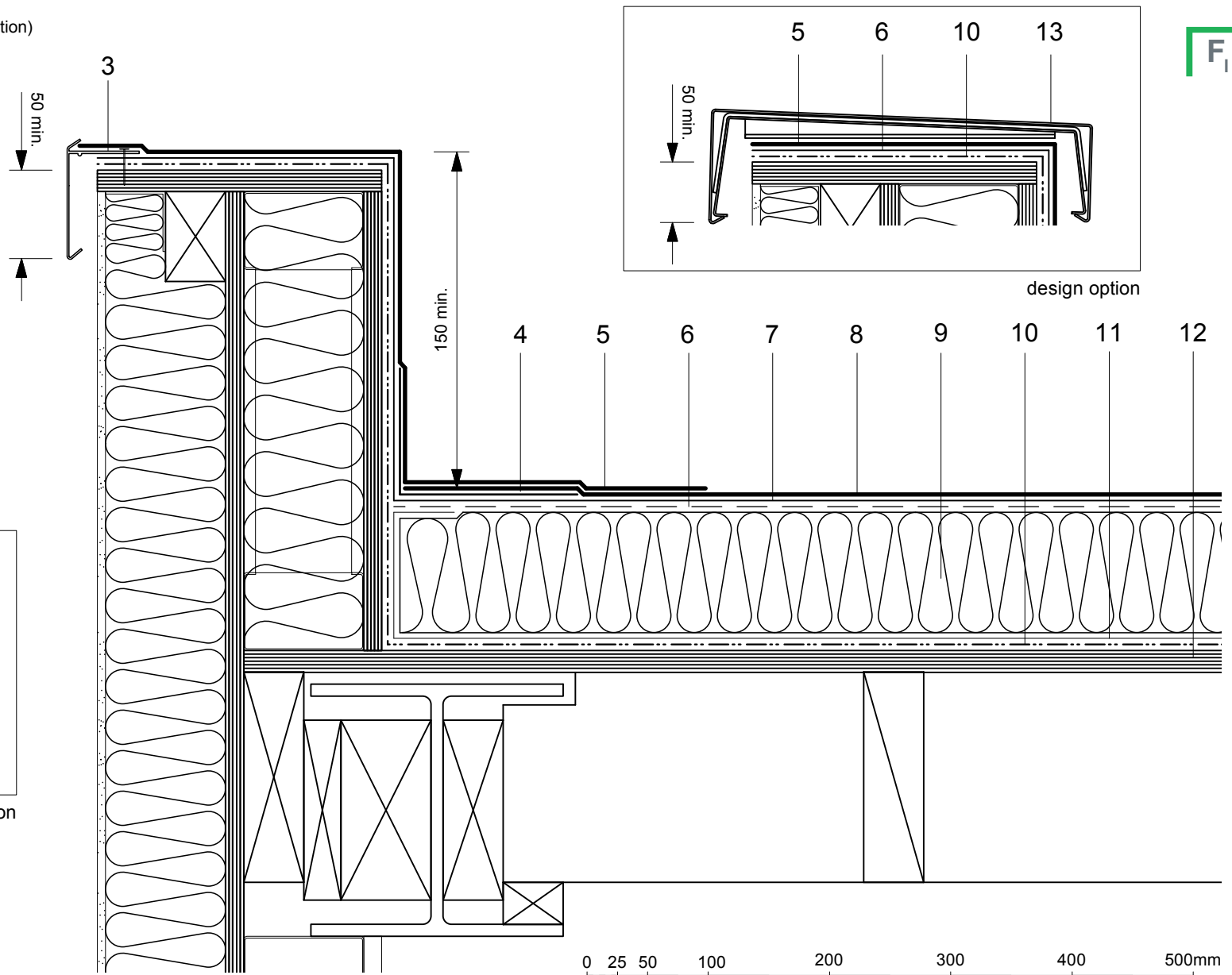


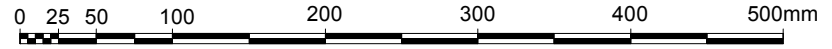
- 1 FORCE LINE to form welted drip detail (design option)
- 2 Timber batten
- 3 Axtrim Perimeter Trim (to suit design requirements)
- 4 35py Angle Strip
- 5 FORCE LINE 4/4.5 detail membrane
- 6 Perforated Layer
- 7 FORCE LINE 2/3 VV under-layer
- 8 FORCE LINE 4/4.5 capping sheet
- 9 Hytherm ADH tapered/flat board Insulation (thickness to achieve design U-value and/or design fall)
- 10 Vernis Antac ST primer
- 11 Axter Vapour Control Layer
- 12 Plywood substrate laid to minimum 1:80 falls (falls unnecessary when using tapered insulation) by specialist contractor
- 13 Metal coping (design option) (by specialist subcontractor)



design option



design option



Do Not Scale. All dimensions to be checked on site by the Axtershield Installer

Axter provides detail drawings as part of our technical design service. Such drawings should only be used as a guide during the design process and should not be utilised during construction. Axter accepts no liability for misuse of this service.

PROJECT	AXTER - STANDARD DETAIL
DRAWING NUMBER	WR.P.FL.70

DRAWING	AXTER WARM ROOF - FORCE LINE SYSTEM TYPICAL PARAPET UPSTAND DETAIL - PLYWOOD SUBSTRATE		
SCALE	1:5 @ A4	DATE	2014

AXTER LTD
West Road, Ransomes
Europark, Ipswich,
Suffolk, IP3 9SX.
Tel: (01473) 724056
Fax: (01473) 723263
info@axterltd.co.uk

