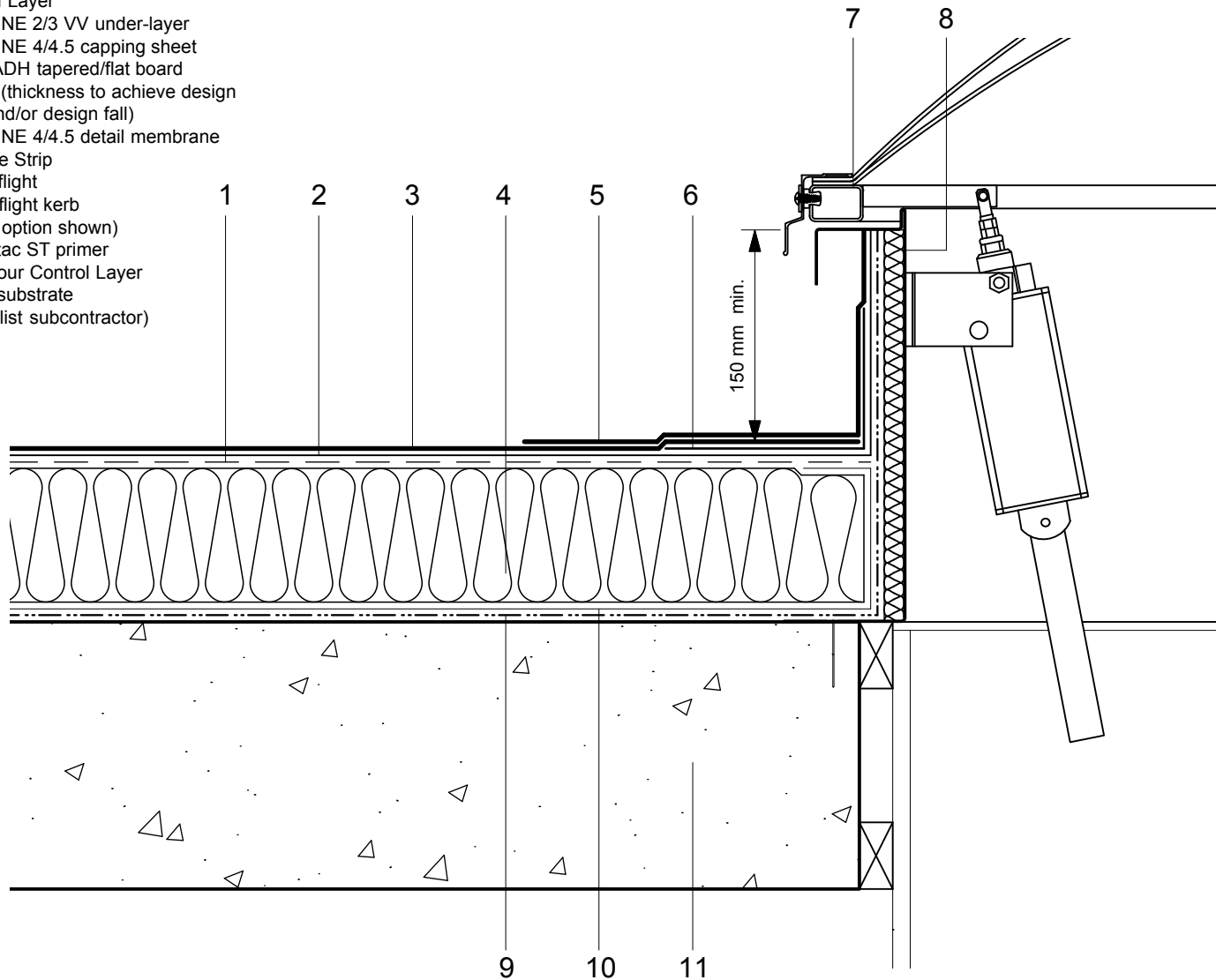
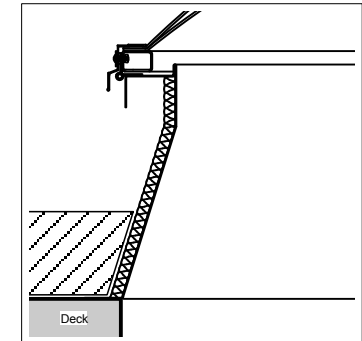


- 1 Perforated Layer
- 2 FORCE LINE 2/3 VV under-layer
- 3 FORCE LINE 4/4.5 capping sheet
- 4 Hytherm ADH tapered/flat board
- Insulation (thickness to achieve design U-value and/or design fall)
- 5 FORCE LINE 4/4.5 detail membrane
- 6 35py Angle Strip
- 7 Axter Rooflight
- 8 Axter Rooflight kerb (Full Kerb option shown)
- 9 Vernis Antac ST primer
- 10 Axter Vapour Control Layer
- 11 Concrete substrate (by specialist subcontractor)

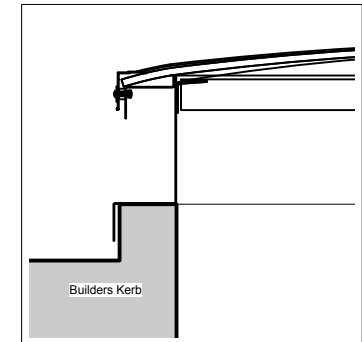


kerb options

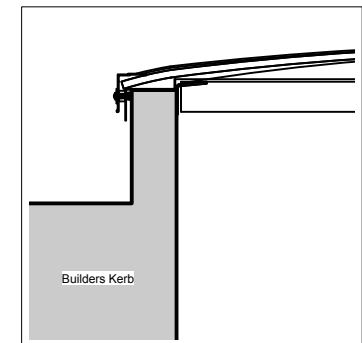
01
F₁



Tapered Kerb



Adapter Plate



Z Frame



Do Not Scale. All dimensions to be checked on site by the Axtershield Installer

Axter provides detail drawings as part of our technical design service. Such drawings should only be used as a guide during the design process and should not be utilised during construction. Axter accepts no liability for misuse of this service.

PROJECT	AXTER - STANDARD DETAIL	
DRAWING NUMBER	WR.C.FL.40	

DRAWING	AXTER WARM ROOF - FORCE LINE SYSTEM TYPICAL UPSTAND DETAIL TO AXTER ROOFLIGHT - CONCRETE SUBSTRATE	
SCALE	1:5 @ A4	DATE
		2014

AXTER LTD
West Road, Ransomes
Europark, Ipswich,
Suffolk, IP3 9SX.
Tel: (01473) 724056
Fax: (01473) 723263
info@axterltd.co.uk

