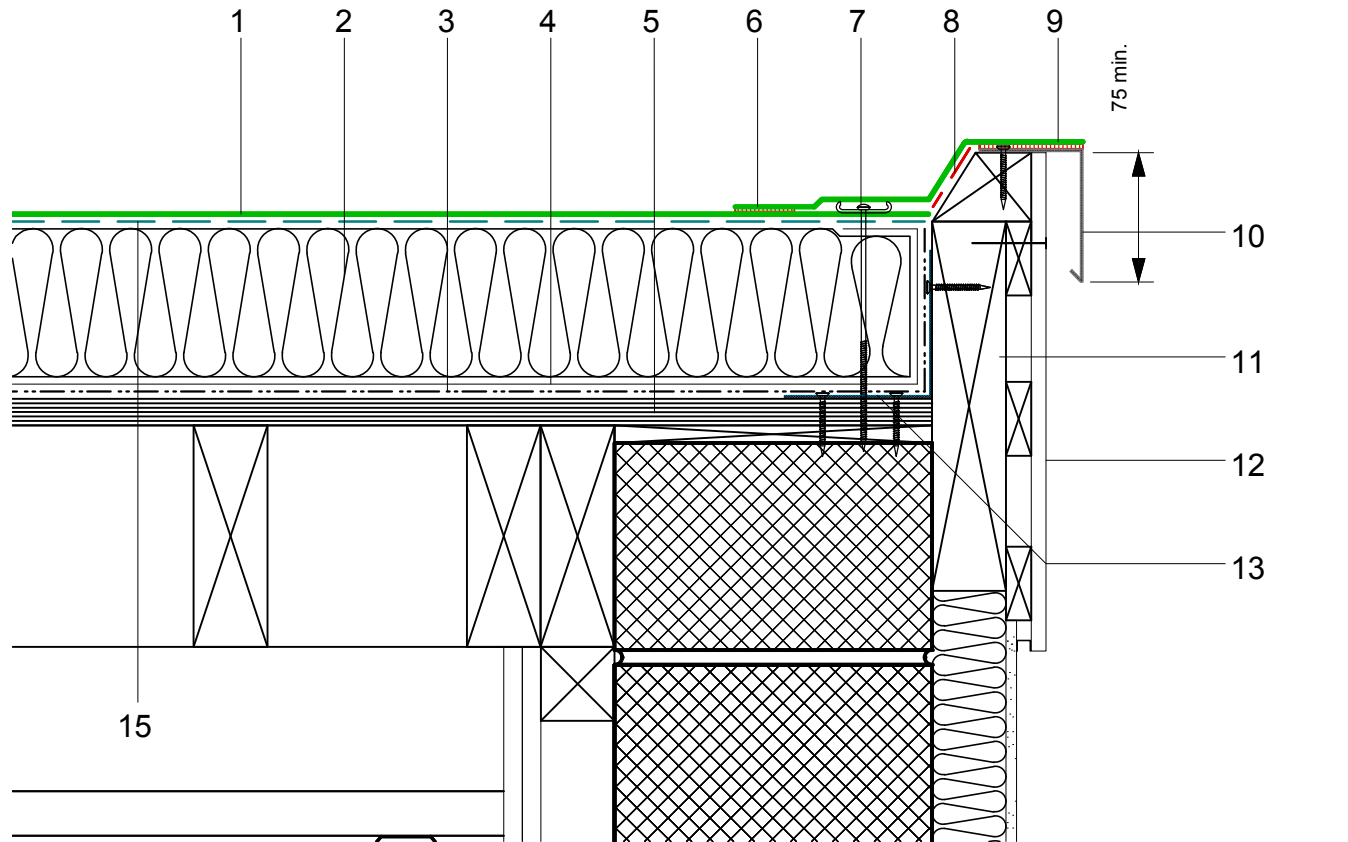
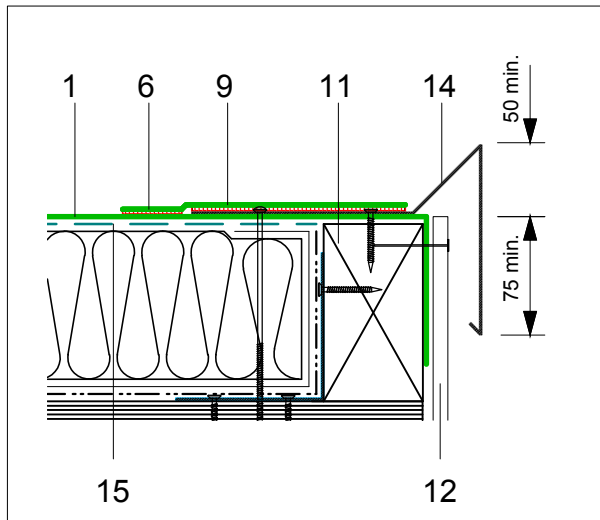


- 1 ECOLINE ADH fleeceback single ply membrane fully bonded using ADH Adhesive
- 2 Hytherm tapered/flat board Insulation mechanically fixed with Ecoline insulation washers and fixings (thickness to achieve design U-value and/or design fall)
- 3 Vernis Antac ST primer
- 4 Axter Vapour Control Layer
- 5 Plywood substrate (by specialist subcontractor)
- 6 Heat welded seam - 40mm
- 7 Restraint bar and mechanical (MTP) fixing
- 8 FM/D contact adhesive
- 9 ECO/R coverstrip
- 10 ECOMETAL preformed PVC coated metal trim mechanical (MTP) fixing at 200mm ctrs
- 11 Mechanically fixed hard edge/water check (by specialist subcontractor)
- 12 Facia board
- 13 Galvanised bent metal angle mechanically fixed at perimeter (by specialist subcontractor)
- 14 ECOMETAL preformed PVC coated metal trim to form verge check detail mechanical (MTP) fixing at 200mm ctrs
- 15 ADH Adhesive



Do Not Scale. All dimensions to be checked on site by the Axtershield Installer



design option

Axter provide detail drawings as part of our technical design service. Such drawings should only be used as a guide during the design process and should not be utilised during construction. Axter accepts no liability for misuse of this service.

PROJECT	AXTER - STANDARD DETAIL
CLIENT	N/A

DRAWING	AXTER WARM ROOF - ECOLINE ADH SYSTEM TYPICAL VERGE CHECK EDGE DETAIL - PLYWOOD SUBSTRATE			
DWG.No	SCALE	DATE	REV	
WR.P.EL.adh.50	1:5 @ A4	10.16	N/A	



www.axter.co.uk
info@axterltd.co.uk
01473 724 056

Axter Ltd,
West Road, Ransomes Europark,
Ipswich, Suffolk, IP3 9SX