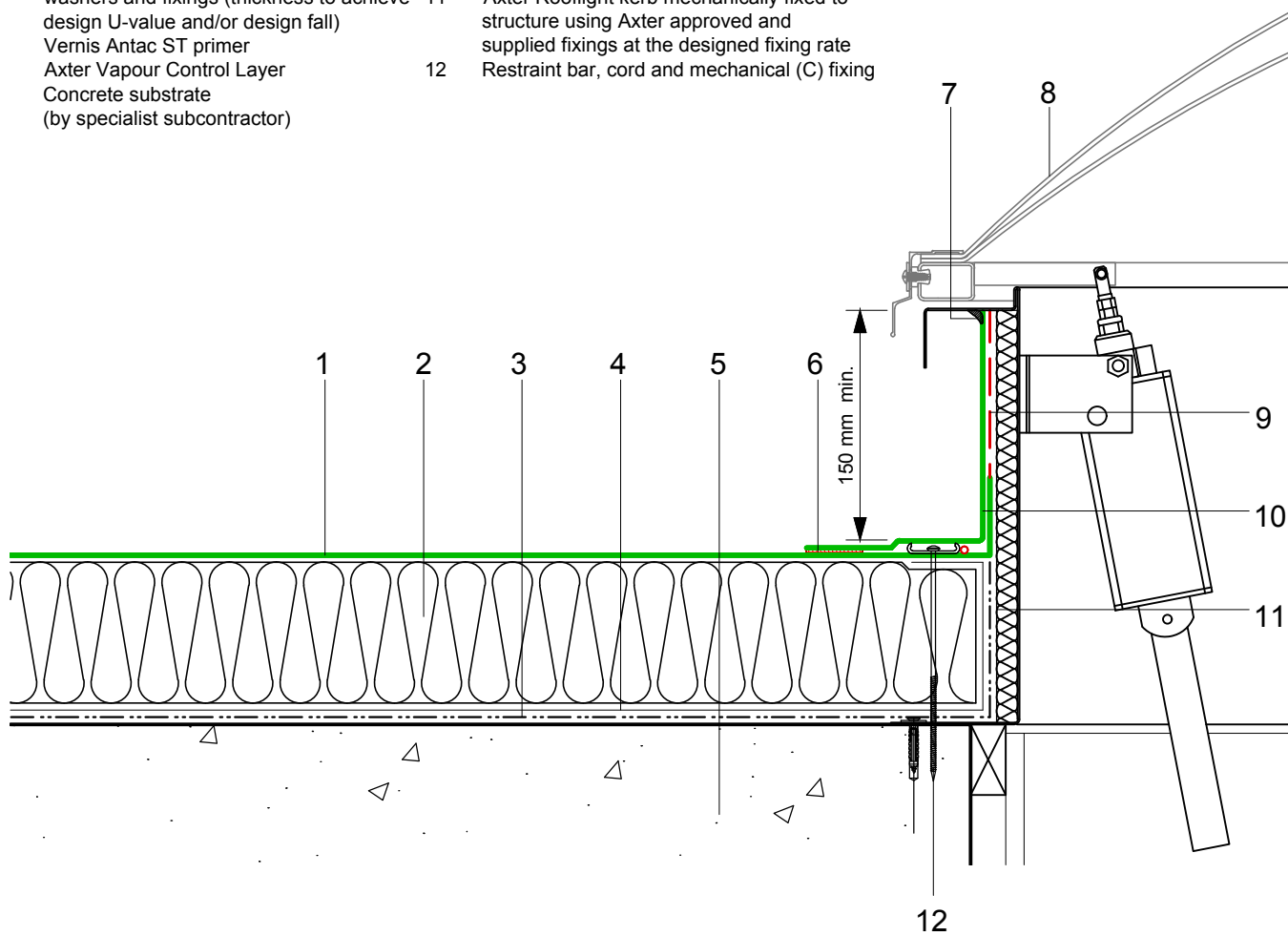
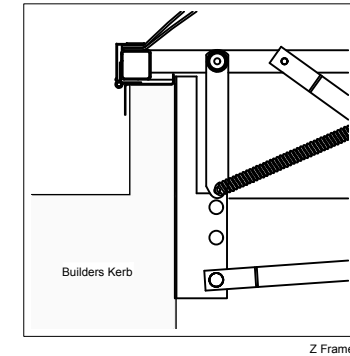
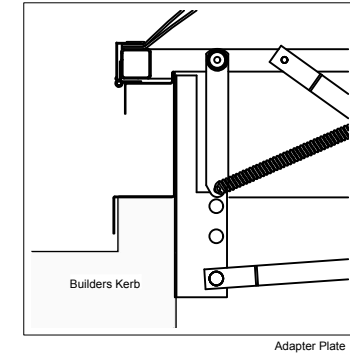
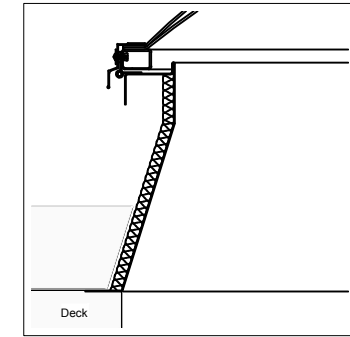


- |   |   |    |  |
|---|---|----|--|
| 1 | ECOLINE FM single ply membrane mechanically fixed with Ecoline membrane washers and (C) fixings   | 6  | Heat welded seam - 40mm  |
| 2 | Hytherm tapered/flat board Insulation mechanically fixed with Ecoline insulation washers and fixings (thickness to achieve design U-value and/or design fall) | 7  | ECOLINE Sealant  |
| 3 | Vernis Antac ST primer  | 8  | Axter Rooflight  |
| 4 | Axter Vapour Control Layer  | 9  | FMD contact adhesive   |
| 5 | Concrete substrate (by specialist subcontractor)  | 10 | ECOLINE FM single ply membrane washers and fixings (thickness to achieve design U-value and/or design fall)                |
|   |   | 11 | Axter Rooflight kerb mechanically fixed to structure using Axter approved and supplied fixings at the designed fixing rate |
|   |   | 12 | Restraint bar, cord and mechanical (C) fixing  |



### kerb options



Do Not Scale. All dimensions to be checked on site by the Axtershield Installer

Axter provide detail drawings as part of our technical design service. Such drawings should only be used as a guide during the design process and should not be utilised during construction. Axter accepts no liability for misuse of this service.

PROJECT	AXTER - STANDARD DETAIL
CLIENT	N/A

DRAWING	AXTER WARM ROOF - ECOLINE FM SYSTEM TYPICAL UPSTAND DETAIL TO AXTER ROOFLIGHT - CONCRETE SUBSTRATE			
DWG.No	SCALE	DATE	REV	
WR.C.EL.fm.30	1:5 @ A4	10.16	N/A	



www.axter.co.uk  
info@axterltd.co.uk  
01473 724 056

Axter Ltd,  
West Road, Ransomes Europark,  
Ipswich, Suffolk, IP3 9SX