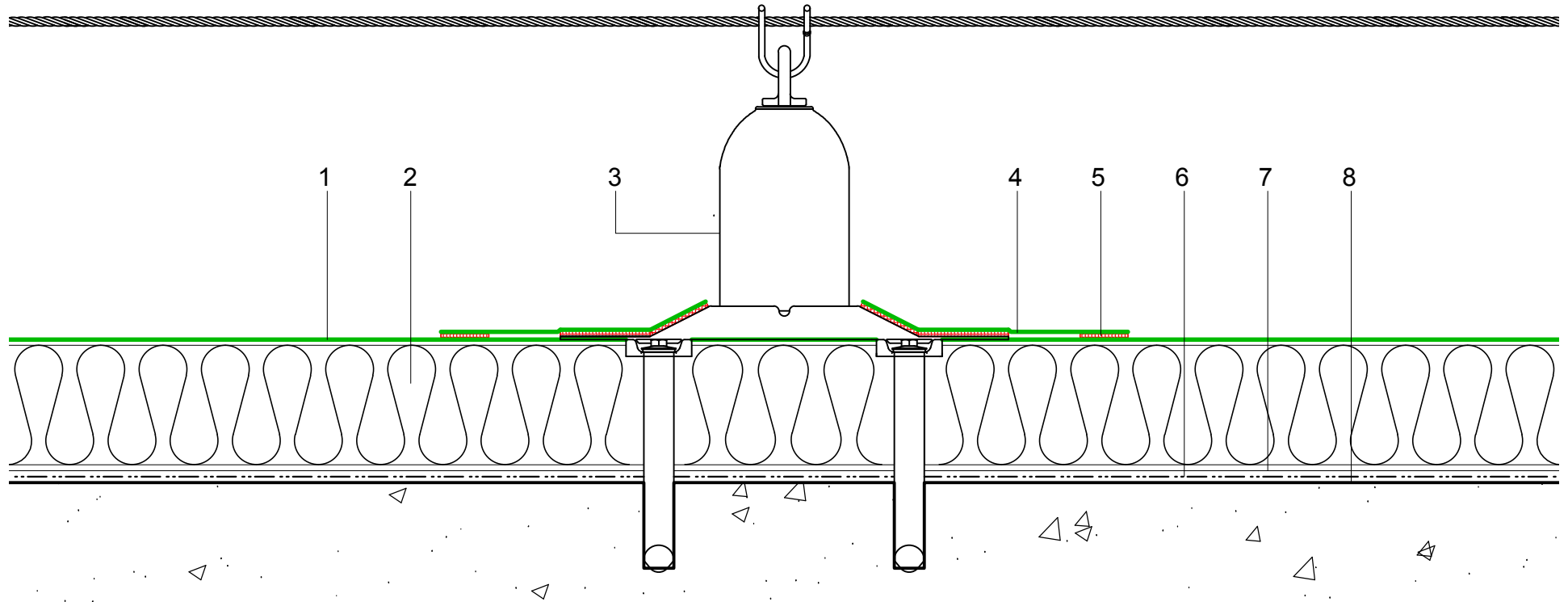


- | | | | |
|---|---------------------------------------------------------------------------------------------------------------------------------------------------------------|---|--------------------------------------------------|
| 1 | ECOLINE FM single ply membrane mechanically fixed with Ecoline membrane washers and (C) fixings | 3 | Latchways Constant Force Post - secured to deck. |
| 2 | Hytherm tapered/flat board Insulation mechanically fixed with Ecoline insulation washers and fixings (thickness to achieve design U-value and/or design fall) | 4 | ECO/R cover strip |
| | | 5 | Heat welded seam - 40mm |
| | | 6 | Vernis Antac ST primer |
| | | 7 | Axter Vapour Control Layer |
| | | 8 | Concrete substrate (by specialist subcontractor) |



Do Not Scale. All dimensions to be checked on site by the Axtersfield Installer

Axter provide detail drawings as part of our technical design service. Such drawings should only be used as a guide during the design process and should not be utilised during construction. Axter accepts no liability for misuse of this service.

| | | | | | | |
|---------|-------------------------|-----|----------------|---------------------------------------------------------------------------------------------------|-------|------|
| PROJECT | AXTER - STANDARD DETAIL | | DRAWING | AXTER WARM ROOF - ECOLINE FM SYSTEM TYPICAL CONSTANT FORCE POST DETAIL - CONCRETE SUBSTRATE | | |
| | CLIENT | N/A | | DWG.No | SCALE | DATE |
| | | | WR.C.EL.fm.170 | 1:5 @ A4 | 10.16 | N/A |



www.axter.co.uk
info@axterltd.co.uk
01473 724 056

Axter Ltd.
West Road, Ransomes Europark,
Ipswich, Suffolk, IP3 9SX