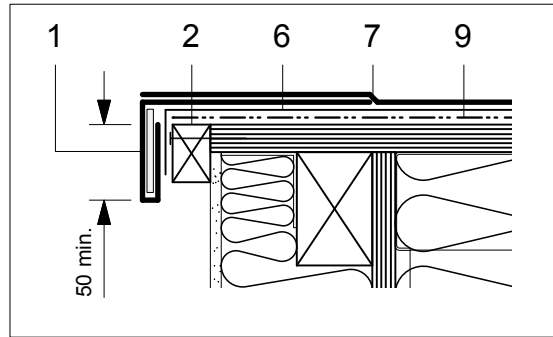
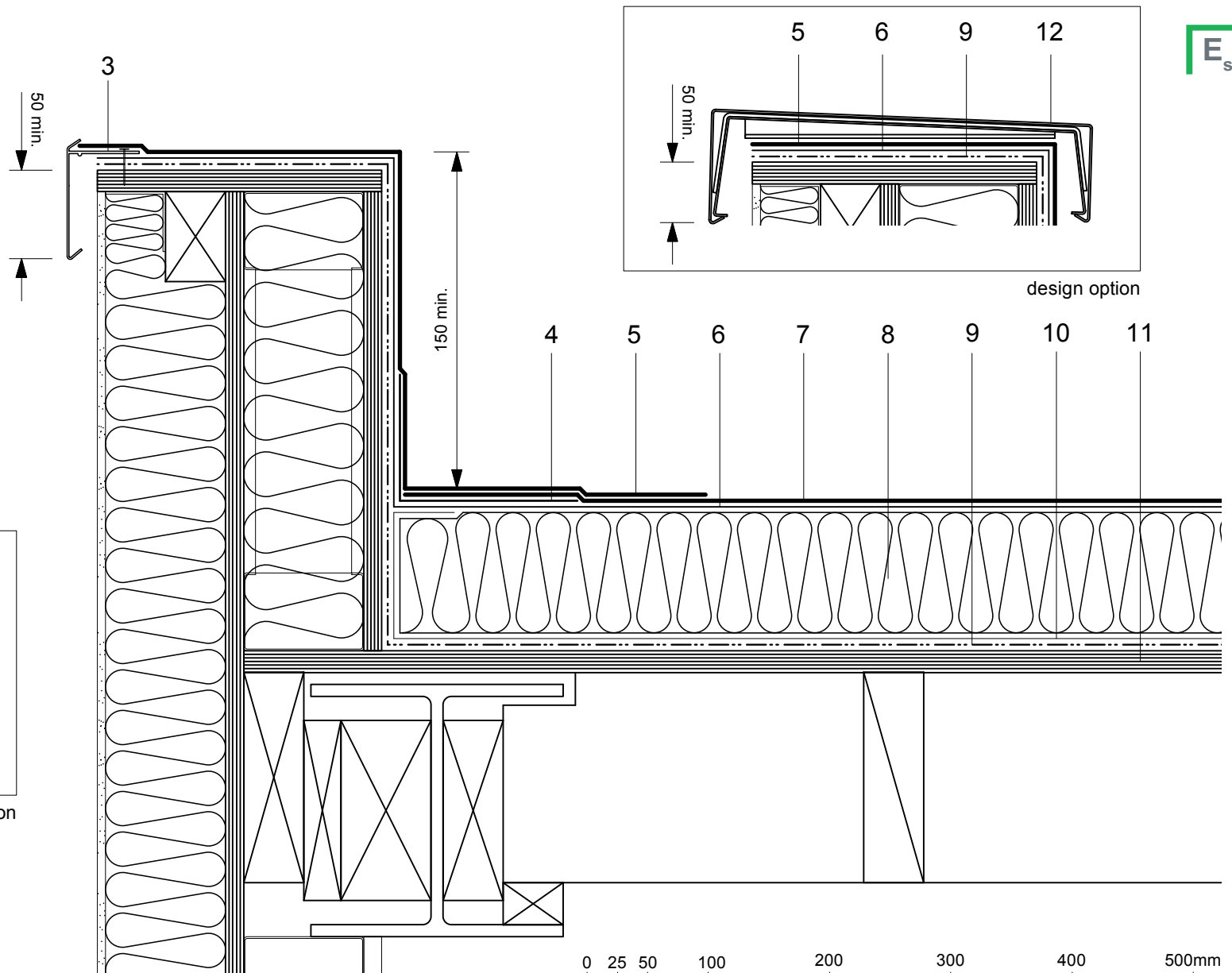


- 1 Excel HRS to form welthed drip detail (design option)
- 2 Timber batten
- 3 Axtrim Perimeter Trim (to suit design requirements)
- 4 35py Angle Strip
- 5 Excel HRS Detail Membrane
- 6 Hyranger SPOT under-layer
- 7 Excel HRS capping sheet
- 8 Hytherm ADH tapered/flat board
- 9 Vernis Antac ST primer
- 10 VAP AL SK Vapour Control Layer
- 11 18mm WBP plywood deck (by specialist subcontractor)
- 12 Metal coping (design option) (by specialist subcontractor)



design option



design option



Do Not Scale. All dimensions to be checked on site by the Axtershield Installer

Axter provides detail drawings as part of our technical design service. Such drawings should only be used as a guide during the design process and should not be utilised during construction. Axter accepts no liability for misuse of this service.

PROJECT	AXTER - STANDARD DETAIL	
DRAWING NUMBER	WR.P.EX.070	

DRAWING	AXTER WARM ROOF - EXCEL/SPOT SYSTEM TYPICAL PARAPET UPSTAND DETAIL - PLYWOOD SUBSTRATE	
SCALE	1:5 @ A4	DATE
		2014

AXTER LTD
West Road, Ransomes
Europark, Ipswich,
Suffolk, IP3 9SX.
Tel: (01473) 724056
Fax: (01473) 723263
info@axterltd.co.uk

