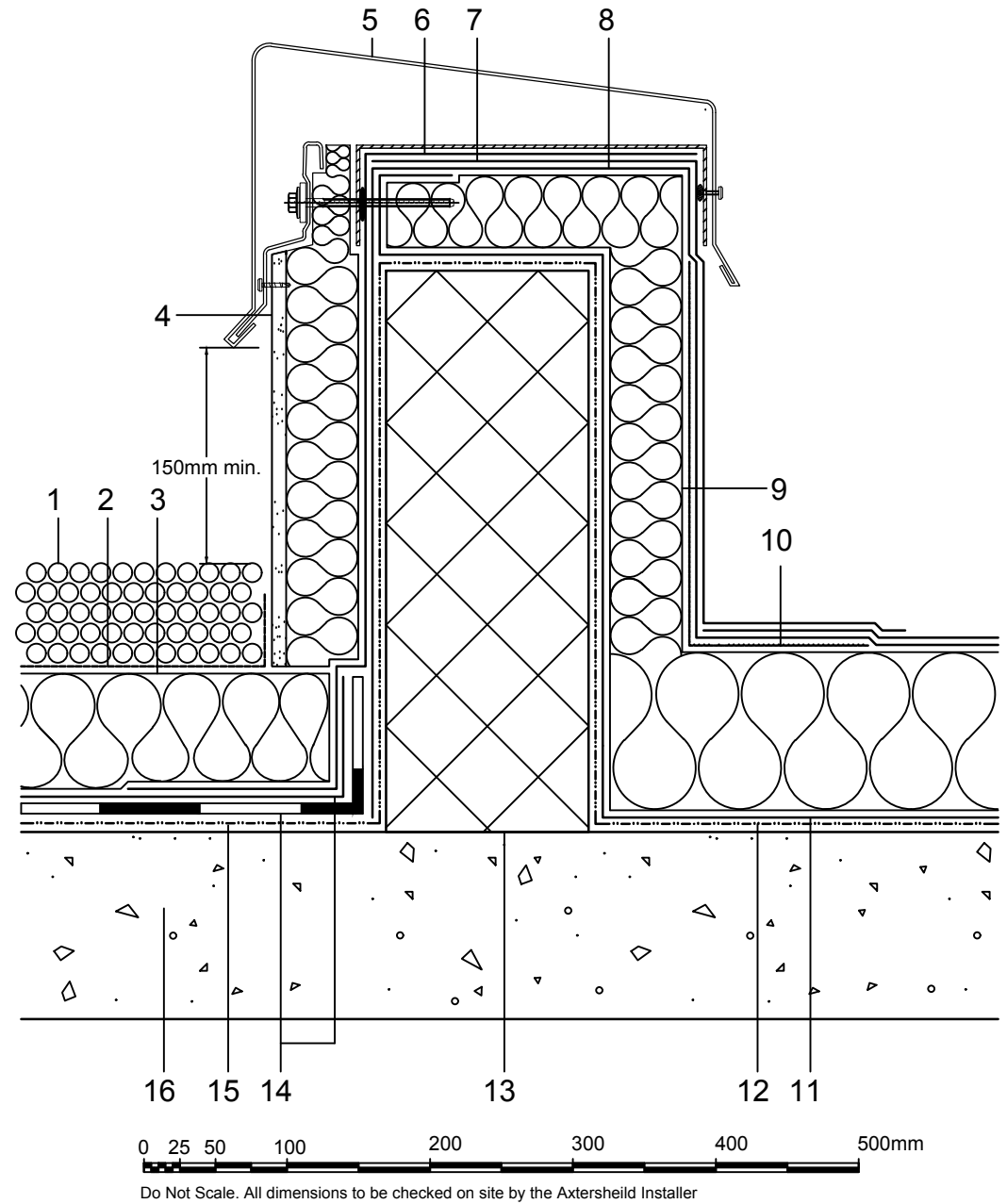
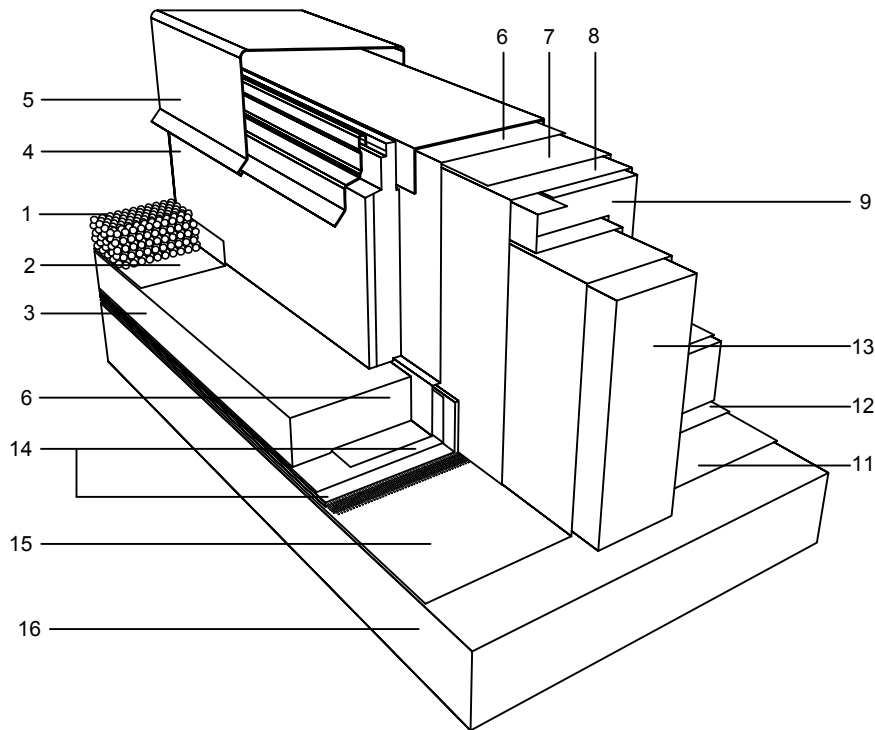


- 1 20-40mm rounded aggregate ballast with no fines installed to a min. depth of 50mm
- 2 Axter breather membrane sealed with tape
- 3 Axter inverted insulation to achieve design U-value
- 4 Axter pre-rendered upstand insulation (thickness to suit project requirements)
- 5 Metal capping by specialist contractor
- 6 Wilotekt-Plus detail membrane
- 7 Axter top layer membrane
- 8 Axter underlayer membrane
- 9 Axter Hytherm warm roof insulation to achieve design u-value and design fall if tapered
- 10 Axter 35 Py angle strip
- 11 Axter vapour barrier
- 12 Axter Vernis Antac primer
- 13 Blockwork by specialist contractor
- 14 Wilotekt-Plus structural waterproofing system
- 15 Wilotekt-Plus primer
- 16 In-situ concrete structural deck laid to zero pitch (0 -0.7° post deflection tolerances)



Axter provide detail drawings as part of our technical design service. Such drawings should only be used as a guide during the design process and should not be utilised during construction. Axter accepts no liability for misuse of this service.

PROJECT				
CLIENT	DWG.N°	SCALE	DATE	REV
	WP.10.16	NTS	2016	

DRAWING				
WILOTEKT-PLUS TRANSITION ROOF DETAIL				
DWG.N°	SCALE	DATE	REV	
WP.10.16	NTS	2016		



www.axter.co.uk
info@axterltd.co.uk
01473 724 056

Axter Ltd.
West Road, Ransomes Europark,
Ipswich, Suffolk, IP3 9SX