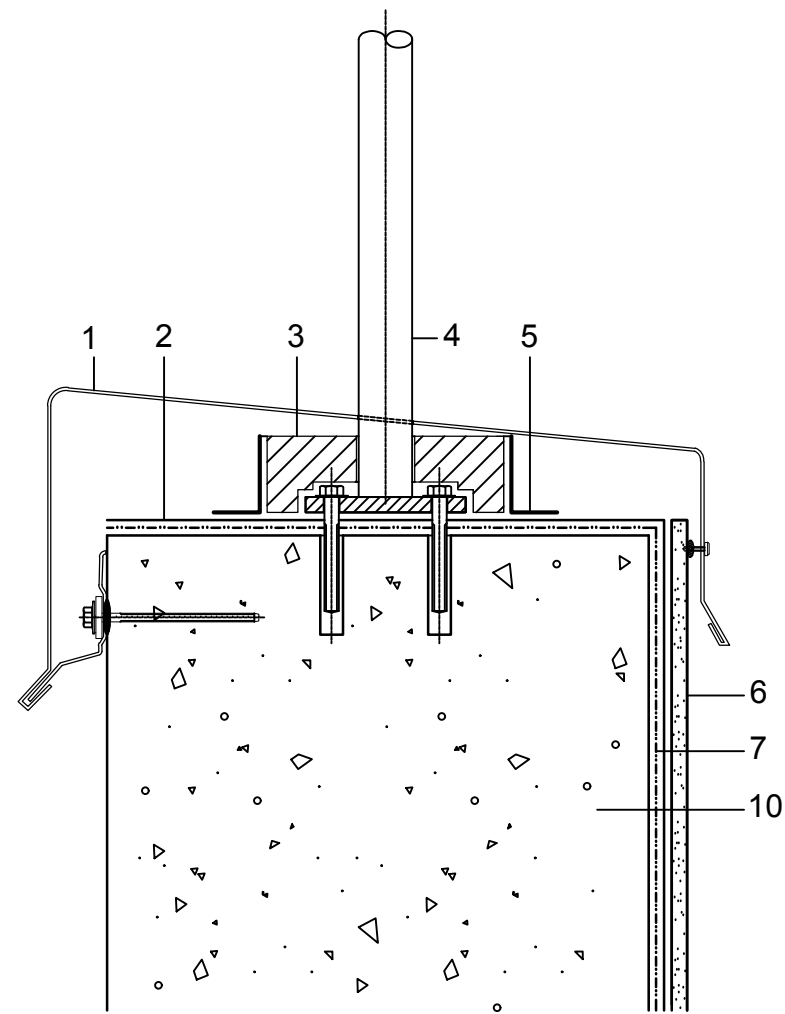
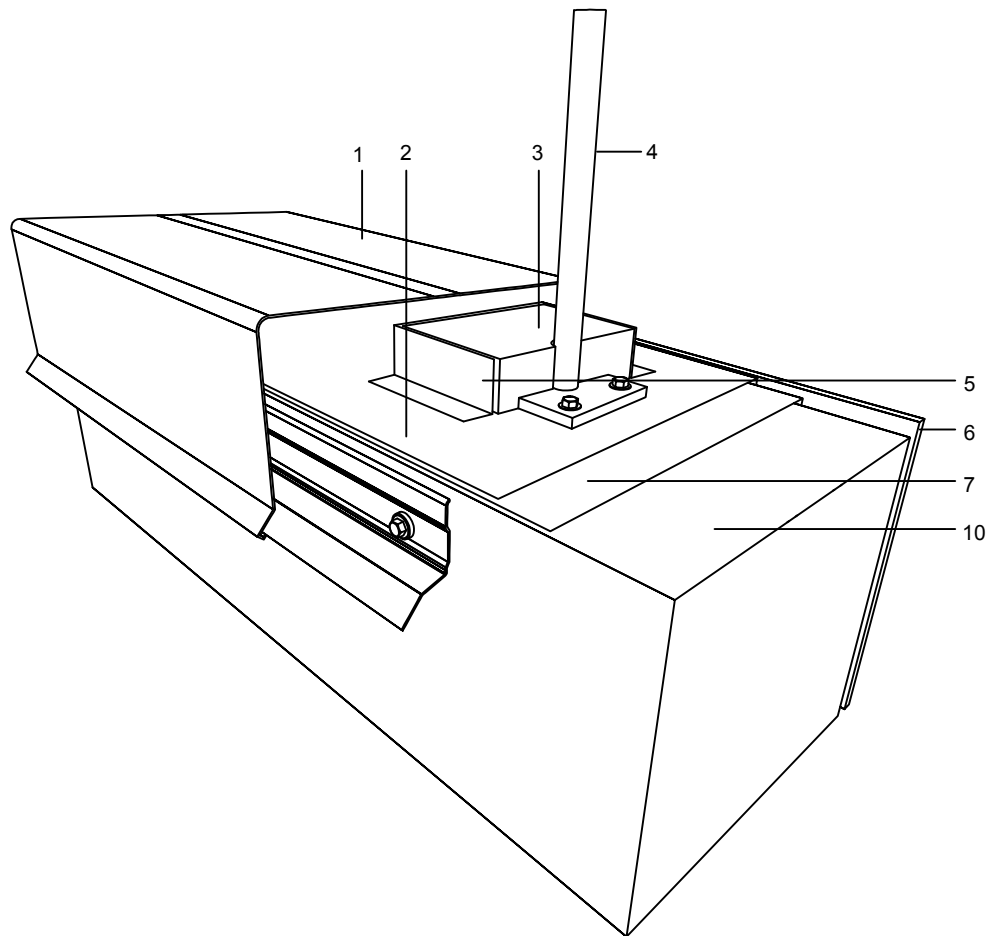


- 1 Metal parapet capping by specialist contractor
- 2 Wilotekt-Plus detail membrane
- 3 Wilotekt-Plus elastomer bitumen compound to form pitch pocket
- 4 Balustrade by specialist contractor
- 5 Aluminium retaining angle to form pitch pocket
- 6 Render by specialist contractor
- 7 Wilotekt-Plus primer
- 10 In-situ concrete laid to zero pitch
(0 -0.7° post deflection tolerances)



Do Not Scale. All dimensions to be checked on site by the Axtersheid Installer

Axter provide detail drawings as part of our technical design service. Such drawings should only be used as a guide during the design process and should not be utilised during construction. Axter accepts no liability for misuse of this service.

PROJECT	
CLIENT	

DRAWING			
WILOTEKT-PLUS PITCH POCKET TO PARAPET BALUSTRADE DETAIL			
DWG.N°	SCALE	DATE	REV
WP.110.16	NTS	2016	



www.axter.co.uk
info@axterltd.co.uk
01473 724 056

Axter Ltd.
West Road, Ransomes Europark,
Ipswich, Suffolk, IP3 9SX