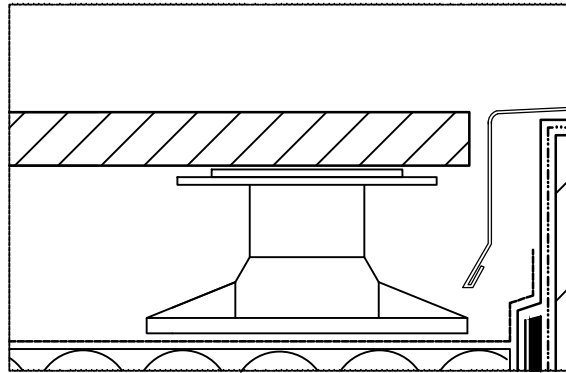
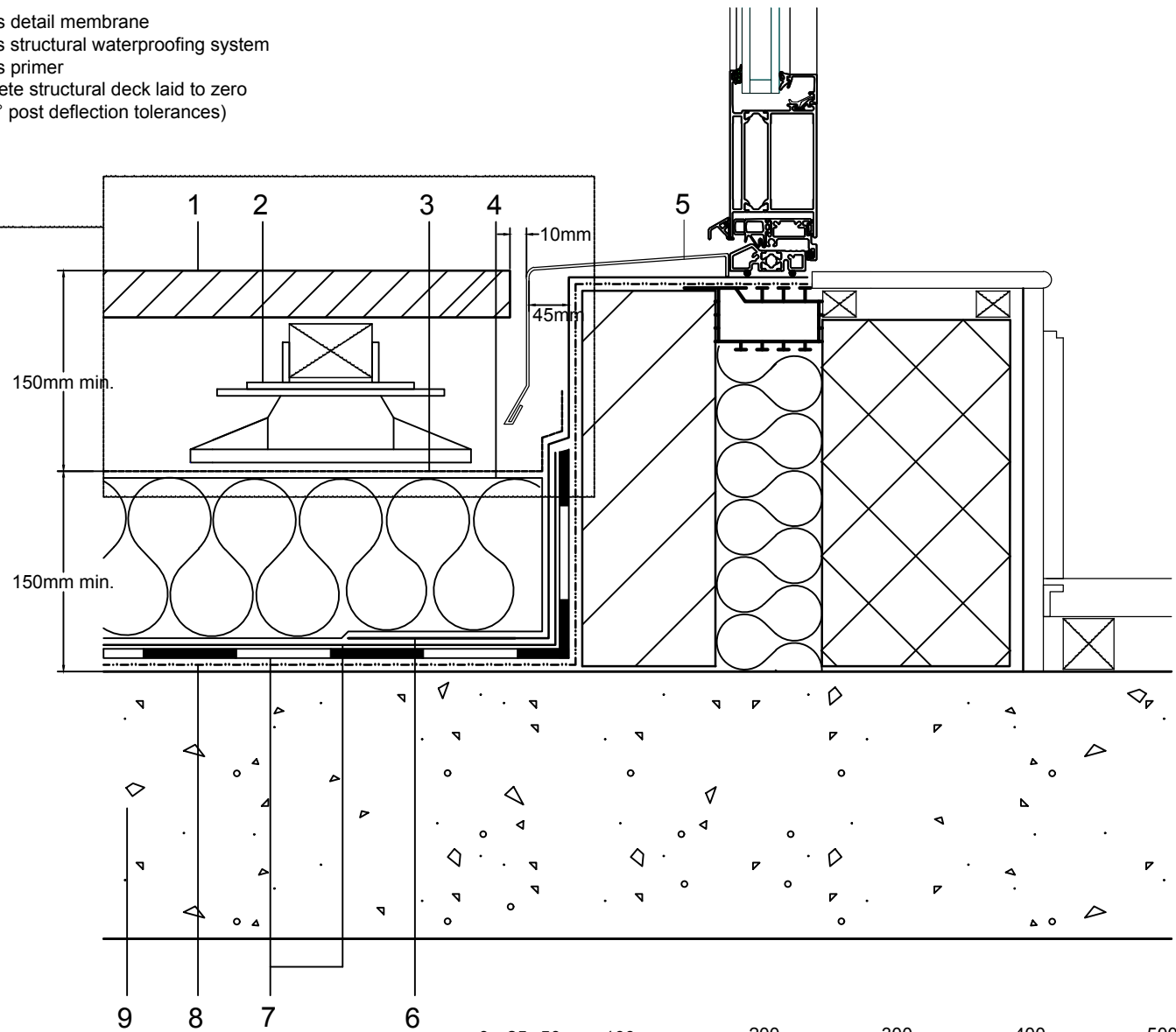
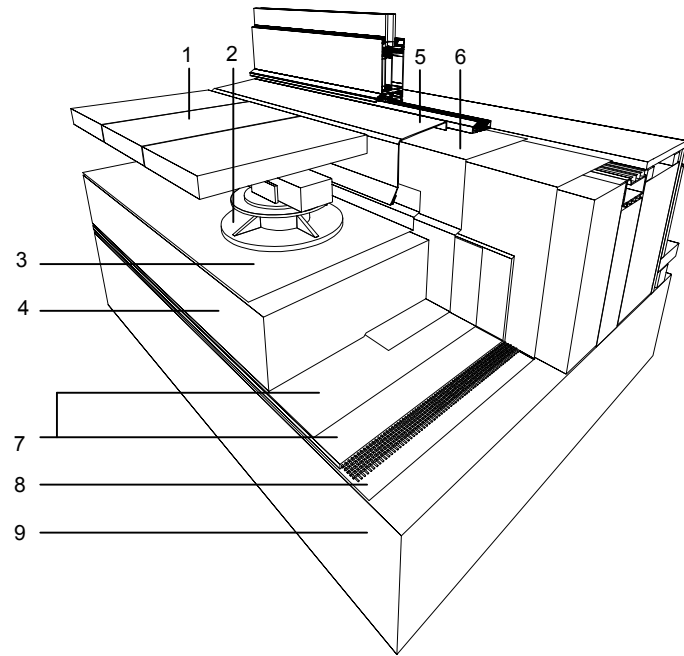


- 1 Timber decking/ paving by specialist contractor
- 2 Axter adjustable paving/ timber decking support
- 3 Axter breather membrane sealed with tape
- 4 Axter inverted insulation to achieve design U-value
- 5 Door cill and frame by specialist contractor
- 6 Wilotekt-Plus detail membrane
- 7 Wilotekt-Plus structural waterproofing system
- 8 Wilotekt-Plus primer
- 9 In-situ concrete structural deck laid to zero pitch (0-0.7° post deflection tolerances)



Insert Showing Support Option For Paving



Do Not Scale. All dimensions to be checked on site by the Axtersheid Installer

Axter provide detail drawings as part of our technical design service. Such drawings should only be used as a guide during the design process and should not be utilised during construction. Axter accepts no liability for misuse of this service.

PROJECT			
CLIENT			

DRAWING			
WILOTEKT-PLUS DOOR THRESHOLD DETAIL			
DWG.N°	SCALE	DATE	REV
WP.120.16	NTS	2016	



www.axter.co.uk  
info@axterltd.co.uk  
01473 724 056

Axter Ltd.  
West Road, Ransomes Europark,  
Ipswich, Suffolk, IP3 9SX