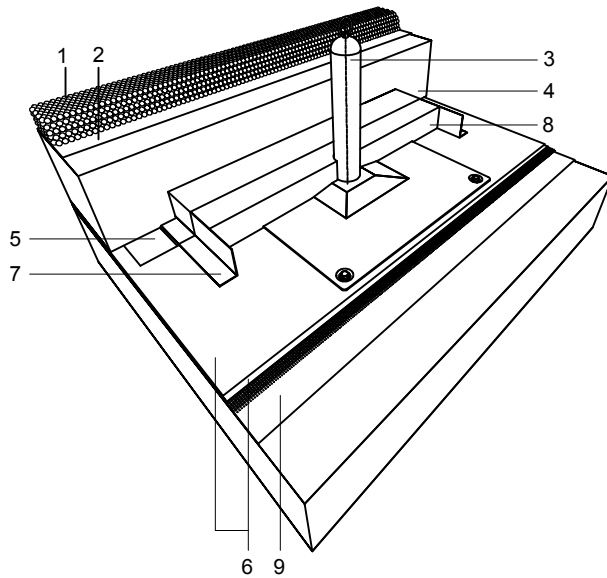
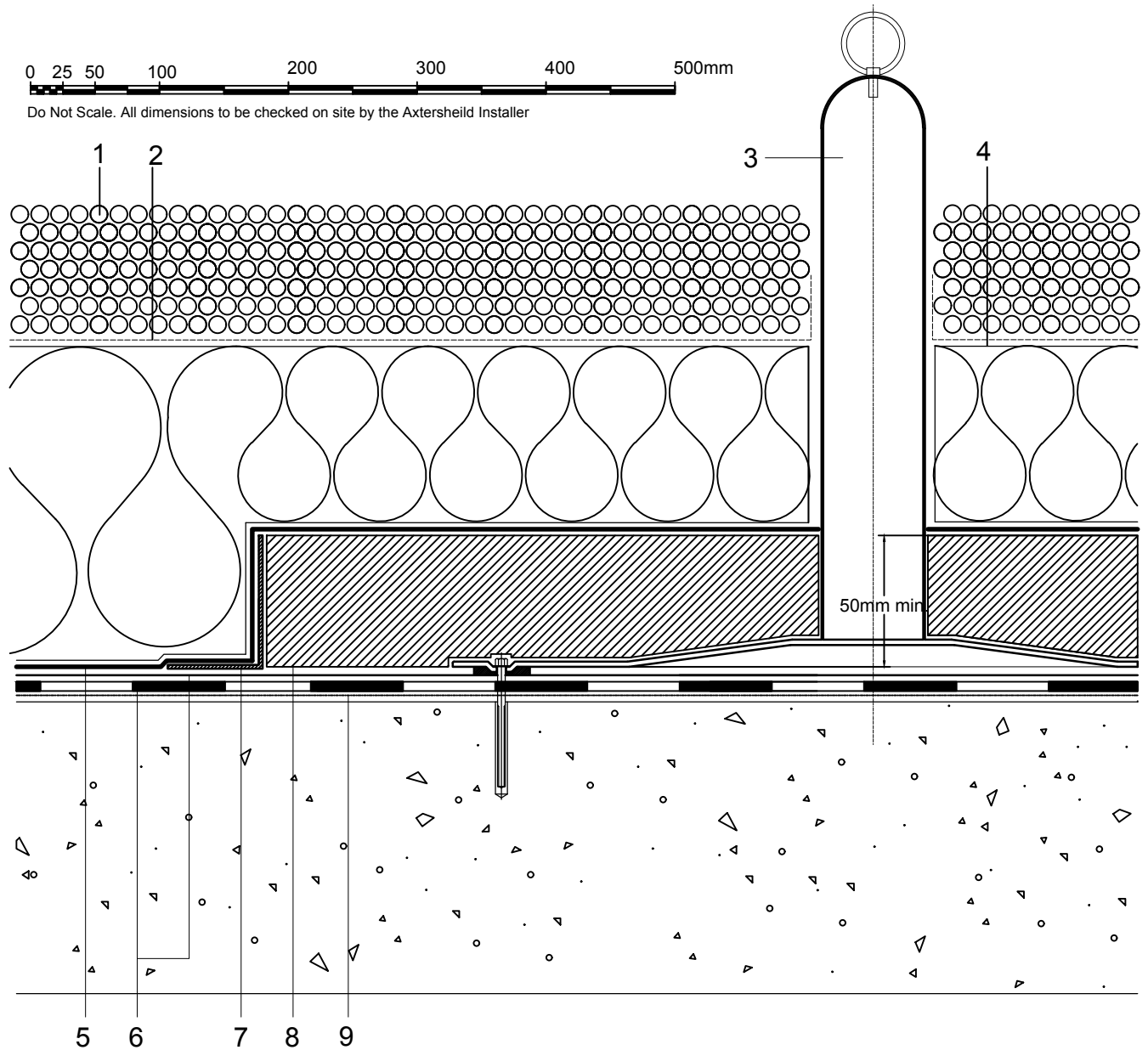



- 1 20-40mm rounded aggregate ballast with no fines installed to a min. depth of 50mm
- 2 Axter breather membrane sealed with tape
- 3 Fall arrest post by specialist contractor
- 4 Axter inverted insulation to achieve design U-value
- 5 Wilotekt-Plus detail membrane
- 6 Wilotekt-Plus structural waterproofing system
- 7 Pitch pocket retaining angle
- 8 Axter Wilotekt-Plus elastomer bitumin compound to form pitch pocket
- 9 Wilotekt-Plus primer

0 25 50 100 200 300 400 500mm  
 Do Not Scale. All dimensions to be checked on site by the Axtersheid Installer



Axter provide detail drawings as part of our technical design service. Such drawings should only be used as a guide during the design process and should not be utilised during construction. Axter accepts no liability for misuse of this service.

PROJECT	DRAWING				
	<b>WILOTEKT-PLUS FALL ARREST POST DETAIL</b>				
CLIENT	DWG.N°	SCALE	DATE	REV	<small>www.axter.co.uk info@axterltd.co.uk 01473 724 056</small>
	WP.140.16	NTS	2016		