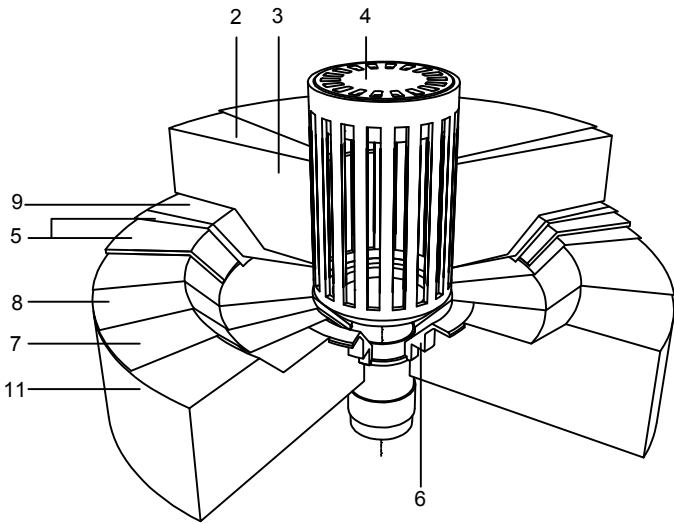
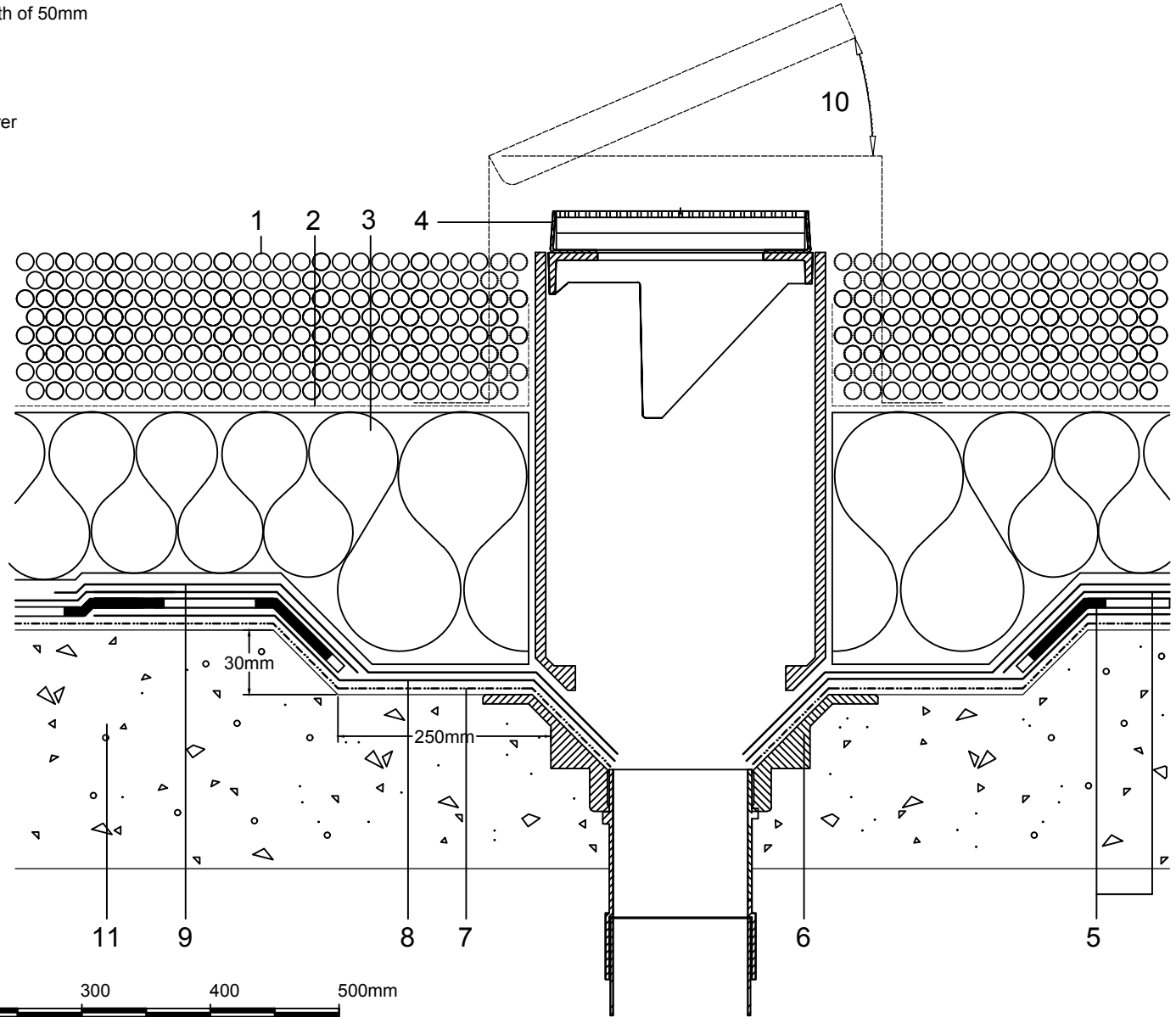


- 1 20-40mm rounded aggregate ballast with no fines installed to a min. depth of 50mm
- 2 Axter breather membrane sealed with tape
- 3 Axter inverted insulation to achieve design U-value
- 4 Leaf guard raising piece by specialist outlet manufacturer
- 5 Wilotekt-Plus structural waterproofing system
- 6 Cast in-situ outlet of appropriate diameter by specialist outlet manufacturer
- 7 Wilotekt-Plus primer
- 8 Wilotekt-Plus Membrane slip layer
- 9 Wilotekt-Plus detail membrane
- 10 Axter inspection chamber (optional)
- 11 In-situ concrete structural deck laid to zero pitch (0-0.7° post deflection tolerances)



1. Ballast omitted
10. Optional inspection chamber omitted



Do Not Scale. All dimensions to be checked on site by the Axtersheid Installer

Axter provide detail drawings as part of our technical design service. Such drawings should only be used as a guide during the design process and should not be utilised during construction. Axter accepts no liability for misuse of this service.

PROJECT	DRAWING	
CLIENT	DWG.N°	SCALE
	WP.20.16	NTS

WILOTEKT-PLUS CAST IN-SITU OUTLET DETAIL		
DATE	REV	
2016		



www.axter.co.uk
info@axterltd.co.uk
01473 724 056

Axter Ltd.
West Road, Ransomes Europark,
Ipswich, Suffolk, IP3 9SX