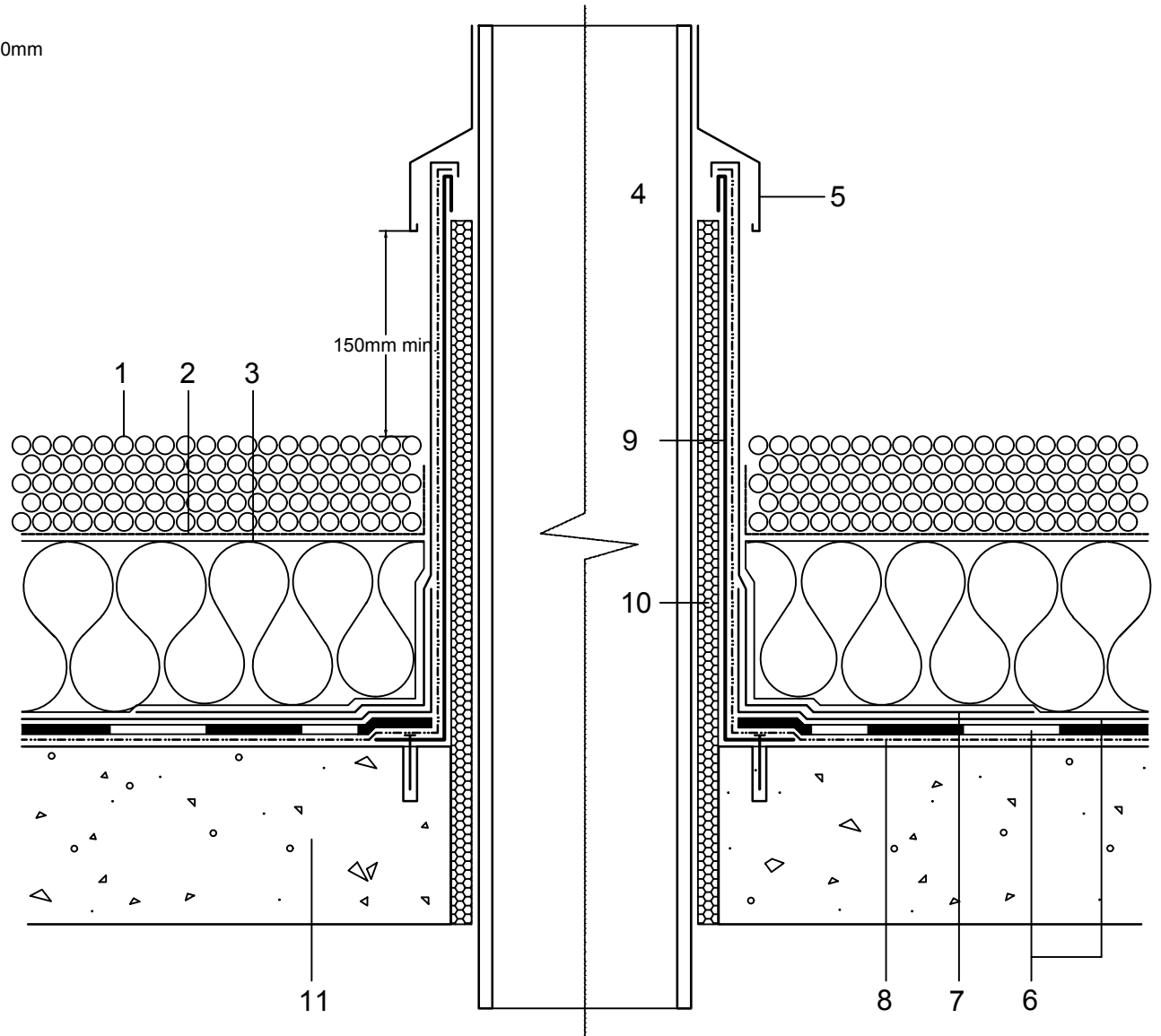
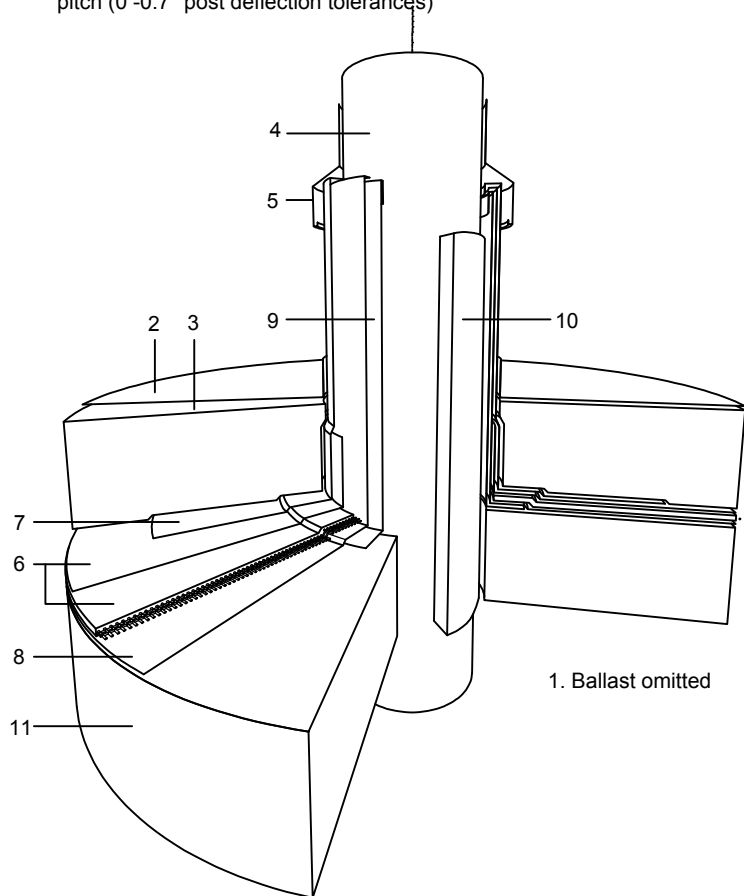


- 1 20-40mm rounded aggregate ballast with no fines installed to a min. depth of 50mm
- 2 Axter breather membrane sealed with tape
- 3 Axter inverted insulation to achieve design U-value
- 4 Hot pipe by specialist contractor
- 5 Weathering cowl to pipe by specialist contractor
- 6 Wilotekt-Plus structural waterproofing system
- 7 Wilotekt-Plus detail membrane
- 8 Wilotekt-Plus primer
- 9 Metal upstand angle by specialist contractor
- 10 Insulation by specialist contractor
- 11 In-situ concrete structural deck laid to zero pitch (0 -0.7° post deflection tolerances)



Do Not Scale. All dimensions to be checked on site by the Axtersheid Installer

Axter provide detail drawings as part of our technical design service. Such drawings should only be used as a guide during the design process and should not be utilised during construction. Axter accepts no liability for misuse of this service.

PROJECT

CLIENT

DRAWING

WILOTEKT-PLUS  
HOT PIPE PENETRATION DETAIL

DWG.N°

WP.30.16

SCALE

NTS

DATE

2016

REV



www.axter.co.uk  
info@axtertd.co.uk  
01473 724 056

Axter Ltd.  
West Road, Ransomes Europark,  
Ipswich, Suffolk, IP3 9SX