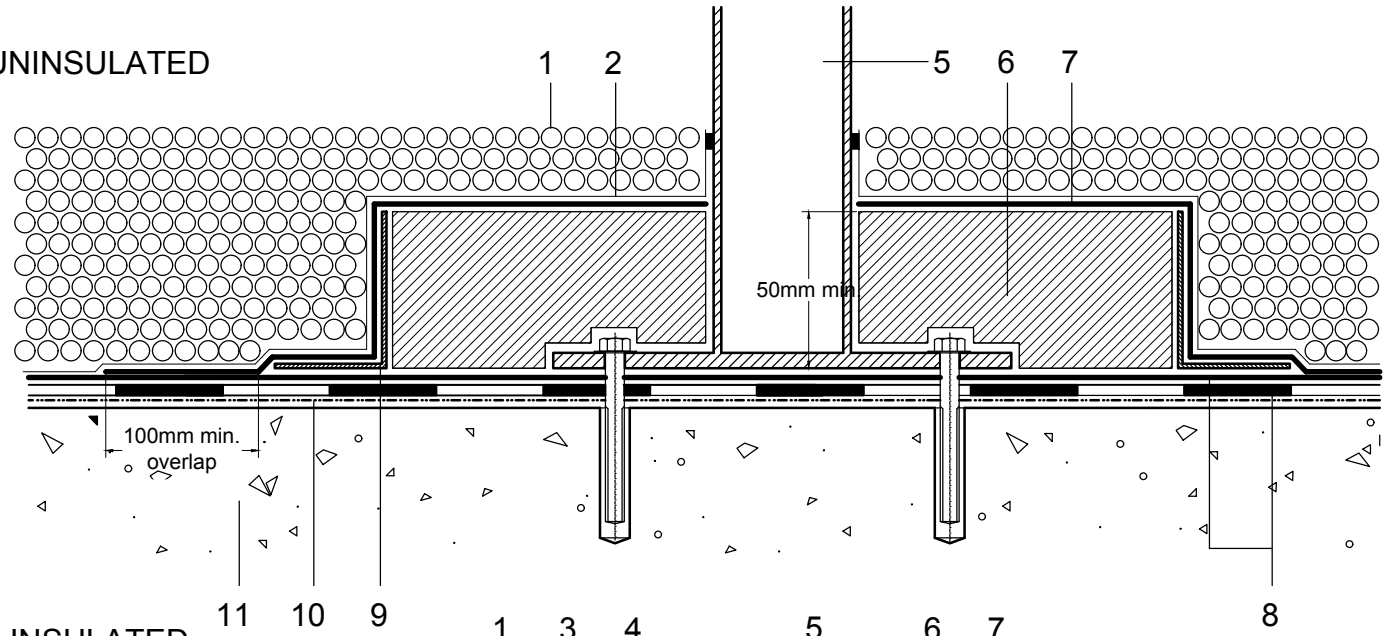
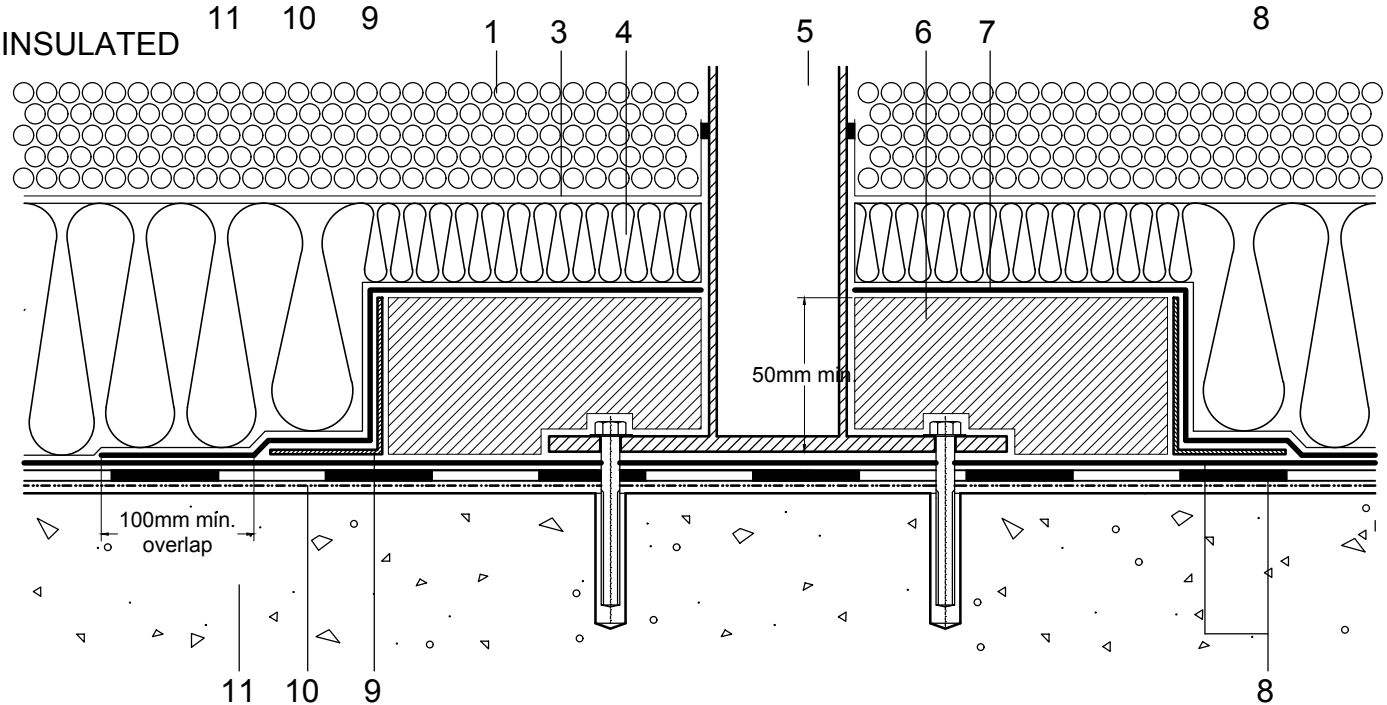


- 1 20-40mm rounded aggregate ballast with no fines (installed to 50mm min. depth)
- 2 Filtration layer
- 3 Axter breather membrane sealed with tape
- 4 Axter inverted insulation (to achieve design U-value)
- 5 Steelwork by specialist contractor
- 6 Wilotekt-Plus elastomer bitumen compound
- 7 Wilotekt-Plus protection/detail membrane to encapsulate pitch pocket (nb: if pitch pocket is exposed above finishes Wilotekt-Plus detail membrane must be used to encapsulate pitch pocket)
- 8 Wilotekt-Plus structural waterproofing system
- 9 Retaining angle to form pitch pocket
- 10 Wilotekt-Plus primer
- 11 In-situ concrete structural deck laid to zero pitch (0 -0.7° post deflection tolerances)


### UNINSULATED



### INSULATED



Axter provide detail drawings as part of our technical design service. Such drawings should only be used as a guide during the design process and should not be utilised during construction. Axter accepts no liability for misuse of this service.

PROJECT	DRAWING				
	WILOTEKT-PLUS PITCH POCKET DETAIL				
CLIENT	DWG.N°	SCALE	DATE	REV	www.axter.co.uk info@axterltd.co.uk 01473 724 056
	WP.50.16	NTS	2016		Axter Ltd. West Road, Ransomes Europark, Ipswich, Suffolk, IP3 9SX