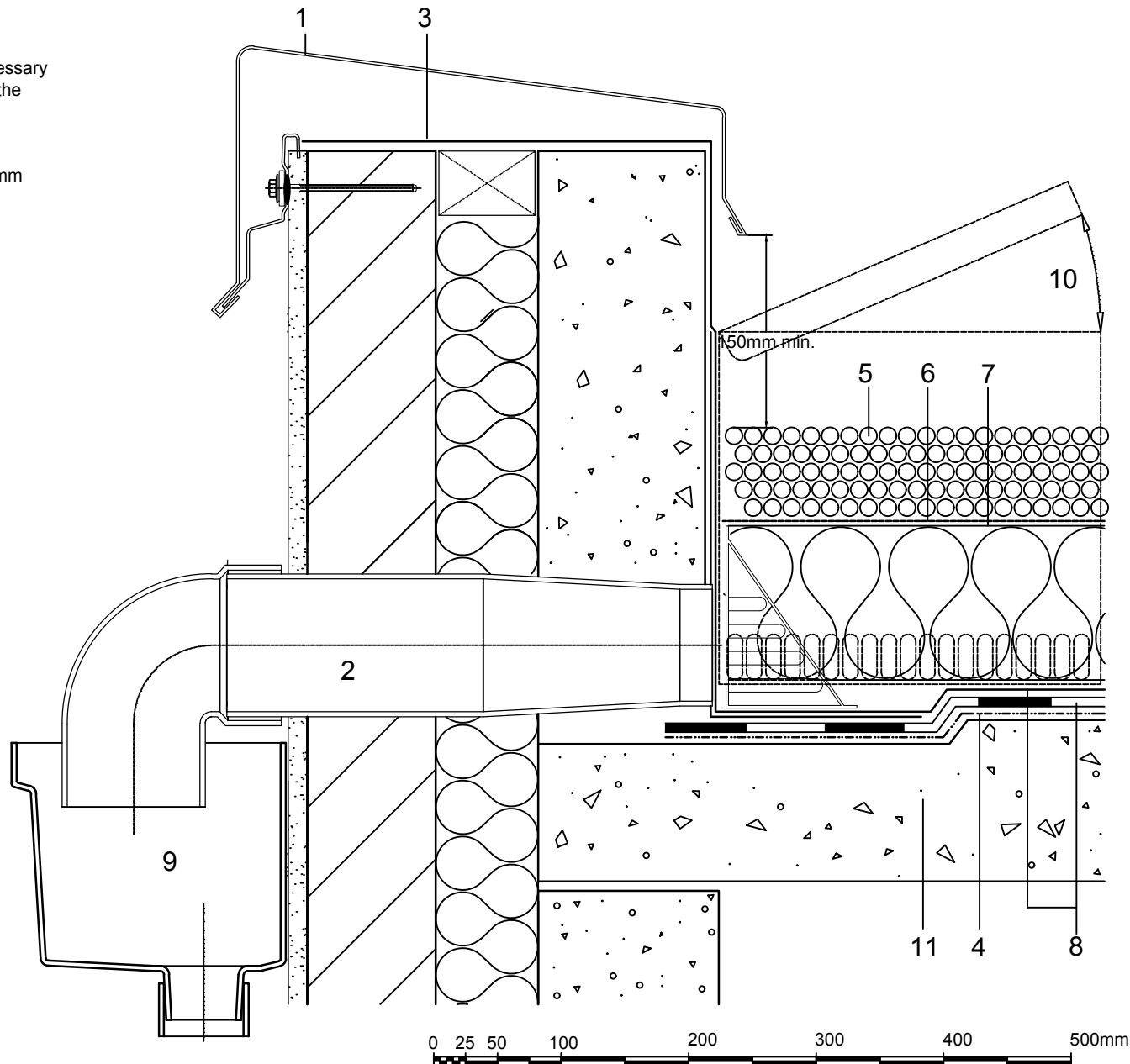
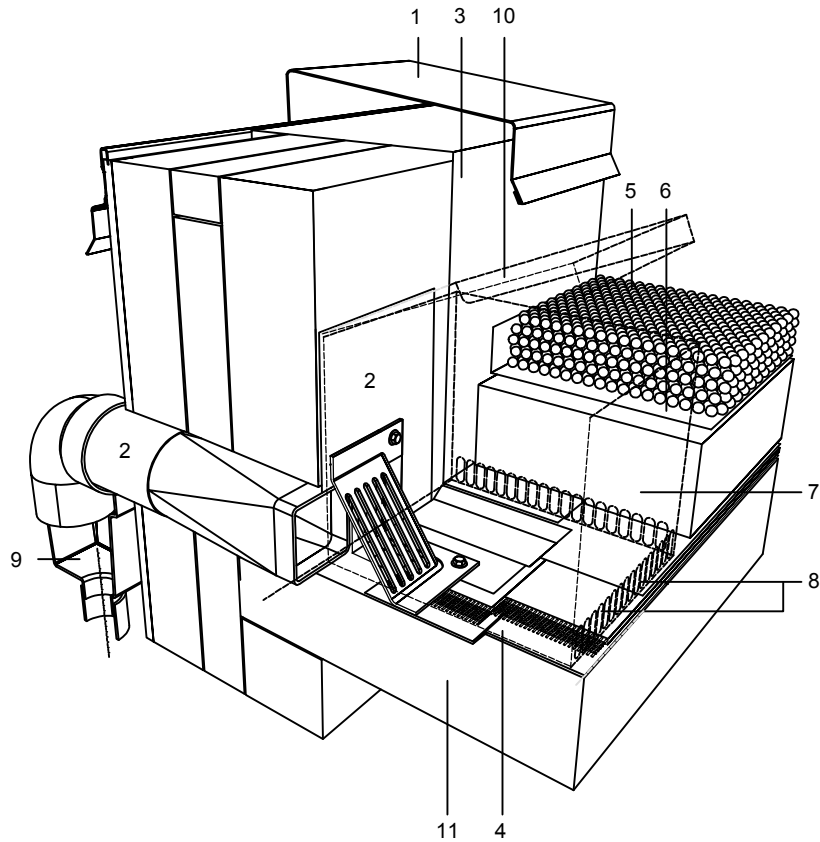


- 1 Metal parapet capping by specialist contractor
- 2 Axter parapet outlet with 90 degree downturn to hopper & extension pipe as necessary (Parapet pipe standard length 300mm and on site dimensions must be taken by the AXTERSHEILD installer to determine if extensions are required)
- 3 Wilotekt-Plus detail membrane
- 4 Wilotekt-Plus primer
- 5 20-40mm rounded aggregate ballast with no fines installed to a min. depth of 50mm
- 6 Axter breather membrane sealed with tape
- 7 Axter inverted insulation to achieve design U-value
- 8 Wilotekt-Plus structural waterproofing system
- 9 Hopper by specialist contractor
- 10 Axter inspection chamber (Dotted)
- 11 In-situ concrete structural deck laid to zero pitch (0 -0.7° post deflection tolerances)



0 25 50 100 200 300 400 500mm
Do Not Scale. All dimensions to be checked on site by the Axtersheild Installer

Axter provide detail drawings as part of our technical design service. Such drawings should only be used as a guide during the design process and should not be utilised during construction. Axter accepts no liability for misuse of this service.

PROJECT

CLIENT

DRAWING

WILOTEKT-PLUS
PARAPET OUTLET DETAIL

DWG.N°

WP.80.16

SCALE

NTS

DATE

2016

REV



www.axter.co.uk
info@axterltd.co.uk
01473 724 056

Axter Ltd.
West Road, Ransomes Europark,
Ipswich, Suffolk, IP3 9SX