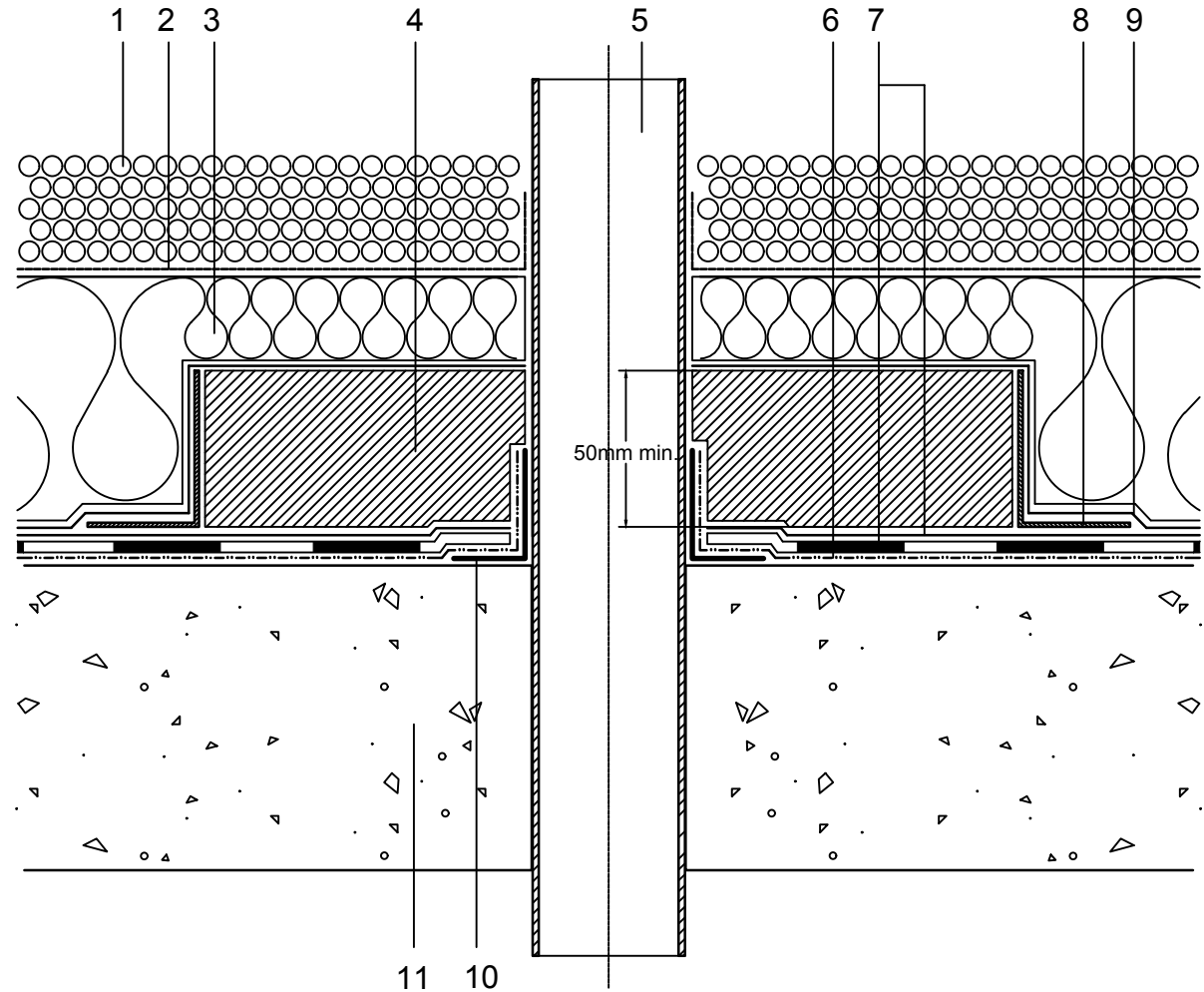
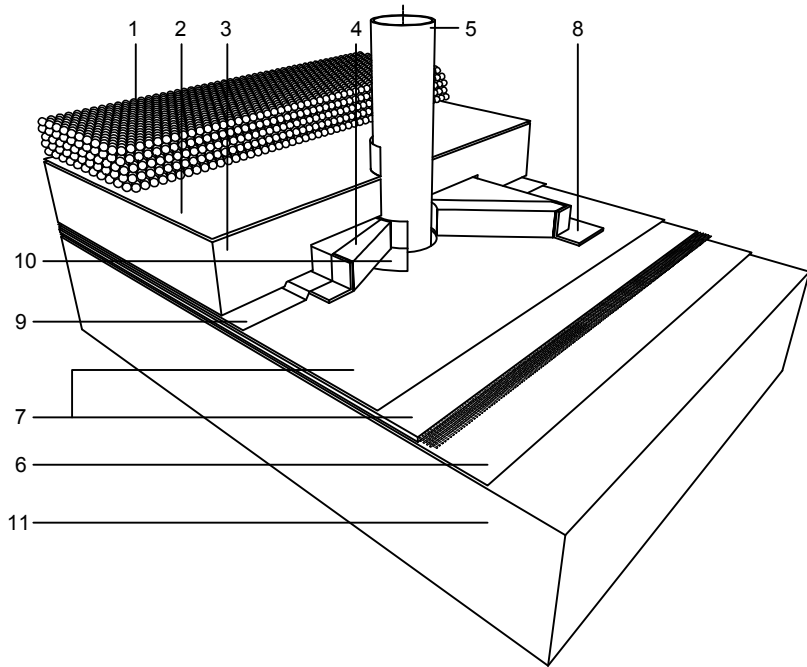


- 1 20-40mm rounded aggregate ballast with no fines installed to a min. depth of 50mm
- 2 Axter breather membrane sealed with tape
- 3 Axter inverted insulation to achieve design U-value
- 4 Wilotekt-Plus elastomer bitumen compound to form pitch pocket
- 5 Cold pipe by specialist contractor
- 6 Wilotekt-Plus primer
- 7 Wilotekt-Plus structural waterproofing system
- 8 Bonded retaining angle
- 9 Wilotekt-Plus detail membrane
- 10 Stickback tape
- 11 In-situ concrete structural deck laid to zero pitch (0 -0.7° post deflection tolerances)



Do Not Scale. All dimensions to be checked on site by the Axtersheid Installer

Axter provide detail drawings as part of our technical design service. Such drawings should only be used as a guide during the design process and should not be utilised during construction. Axter accepts no liability for misuse of this service.

PROJECT	DRAWING		
CLIENT	WILOTEKT-PLUS COLD PIPE PENETRATION DETAIL		
	DWG.N°	SCALE	DATE
	WP.90.16	NTS	2016
			REV



www.axter.co.uk  
info@axterltd.co.uk  
01473 724 056

Axter Ltd.  
West Road, Ransomes Europark,  
Ipswich, Suffolk, IP3 9SX