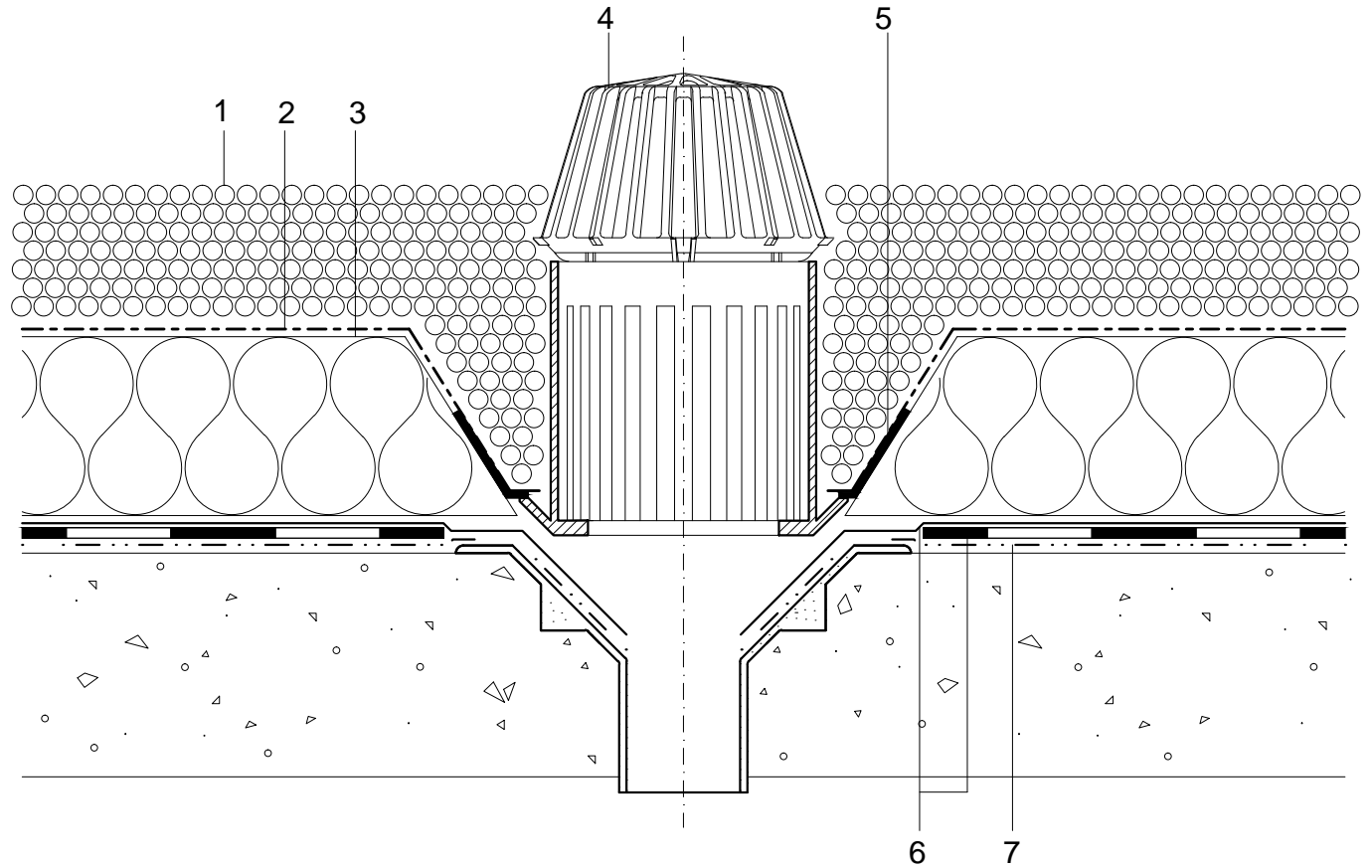
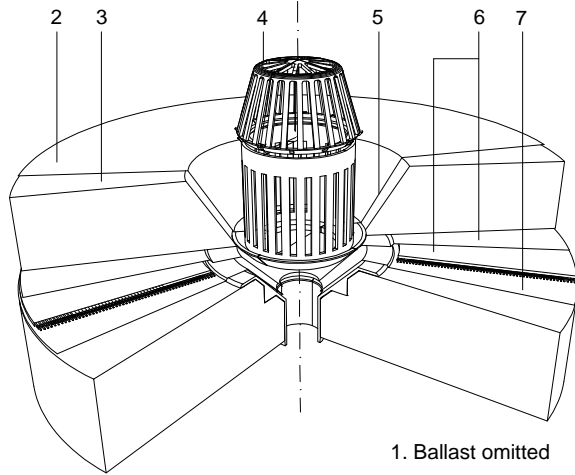


- 1 20-40mm rounded aggregate ballast with no fines installed to a min. depth of 50mm
- 2 HYDROSHIELD breather membrane
- 3 HYDROSHIELD EPS insulation to achieve design U-value
- 4 Rainwater outlet
- 5 HYDROSHIELD tape
- 6 AXTER WILOTEKT-PLUS Structural waterproofing system
- 7 AXTER Primer



Do Not Scale. All dimensions to be checked on site by the Axtersheid Installer

Axter provide detail drawings as part of our technical design service. Such drawings should only be used as a guide during the design process and should not be utilised during construction. Axter accepts no liability for misuse of this service.

PROJECT			
CLIENT	DWG.NO	SCALE	DATE
	H20.10	NTS	2010

DRAWING		
HYDROSHIELD CAST IN-SITU OUTLET DETAIL		

**AXTER LTD**  
 West Road, Ransomes  
 Europark, Ipswich,  
 Suffolk, IP3 9SX.  
 Tel:(01473)724056  
 Fax:(01473)723263  
 info@axterltd.co.uk

