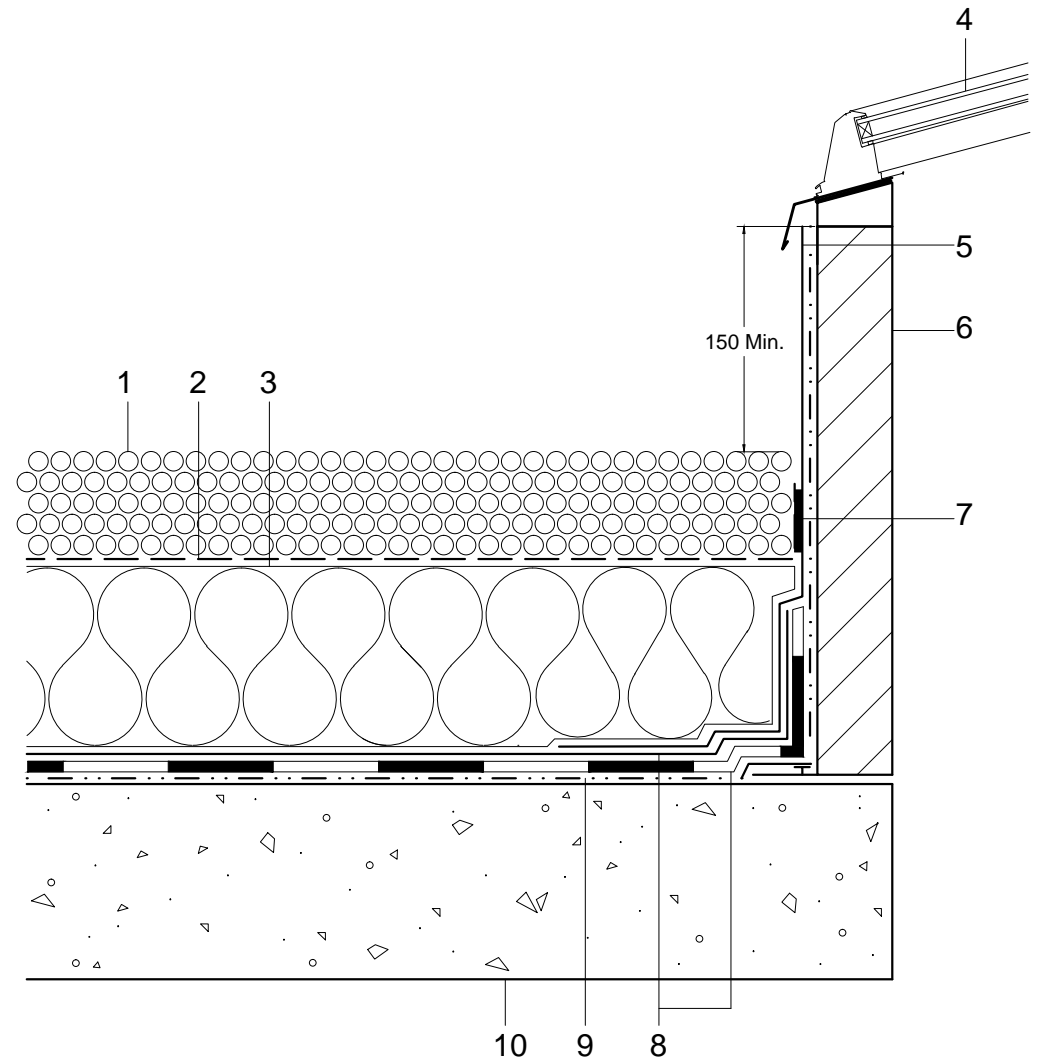
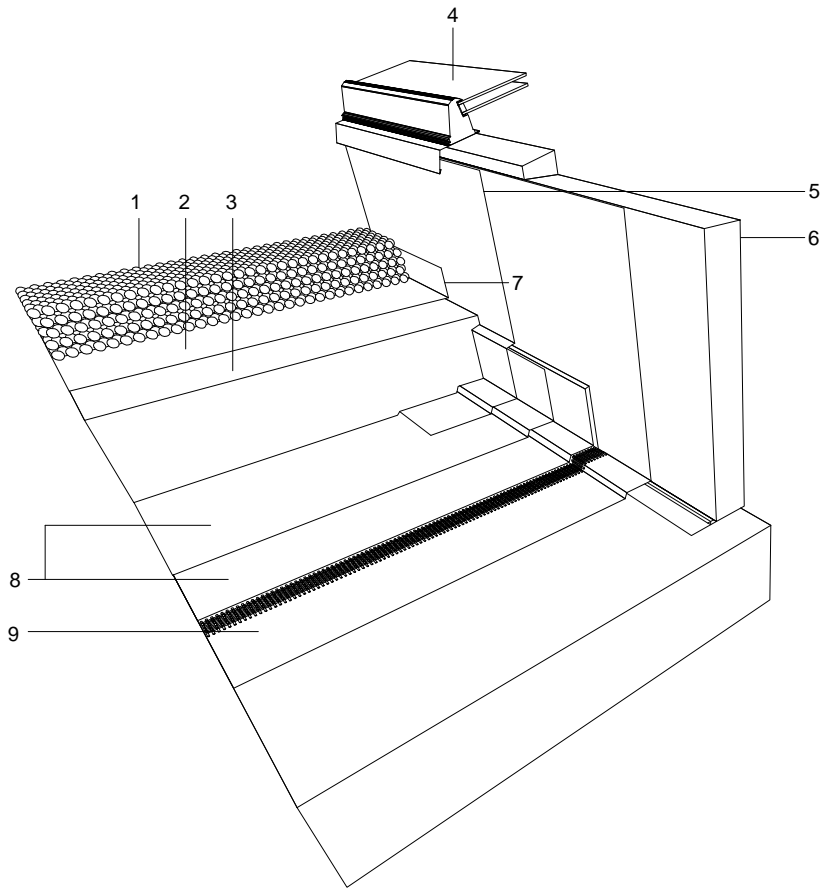


- 1 20-40mm rounded aggregate ballast with no fines installed to a min. depth of 50mm
- 2 HYDROSHIELD breather membrane
- 3 HYDROSHIELD EPS insulation to achieve design U-value
- 4 Access hatch/ rooflight
- 5 Waterproofing detail membrane
- 6 Insulated access hatch curb
- 7 HYDROSHIELD tape
- 8 AXTER WILOTEKT-PLUS Structural waterproofing system
- 9 AXTER Primer



0 25 50 100 200 300 400 500mm

Do Not Scale. All dimensions to be checked on site by the Axtersheid Installer

Axter provide detail drawings as part of our technical design service. Such drawings should only be used as a guide during the design process and should not be utilised during construction. Axter accepts no liability for misuse of this service.

PROJECT			
CLIENT	DWG.NO	SCALE	DATE
	H70.09	NTS	2010

DRAWING		
HYDROSHIELD ACCESS HATCH/ ROOFLIGHT DETAIL		

AXTER LTD
 West Road, Ransomes
 Europark, Ipswich,
 Suffolk, IP3 9SX.
 Tel:(01473)724056
 Fax:(01473)723263
 info@axterltd.co.uk

