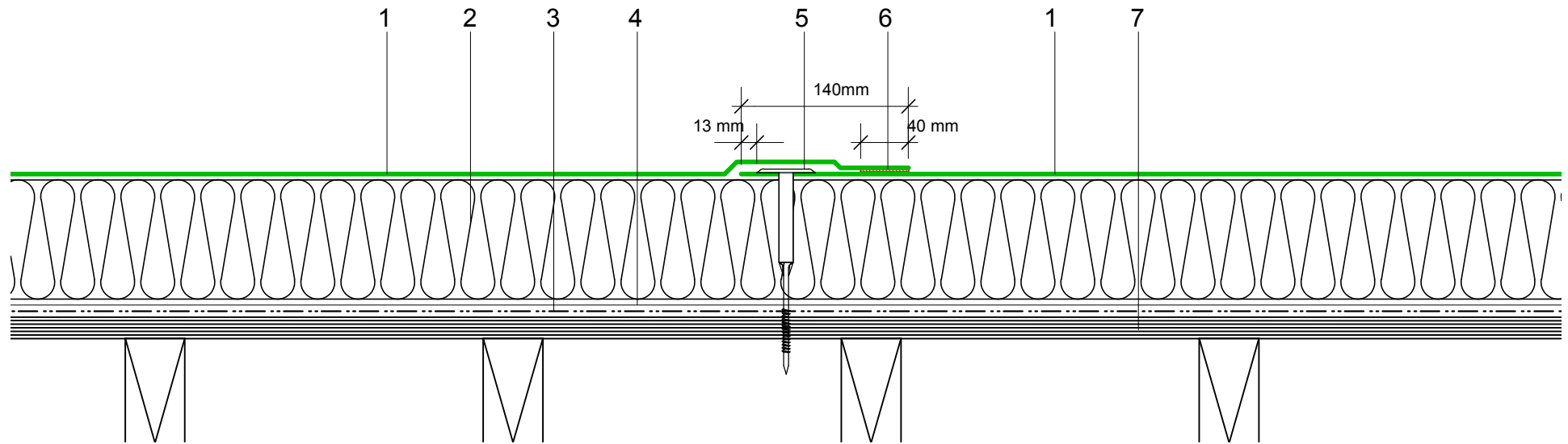


- 1 ECOFLEX FM single ply membrane mechanically fixed with Ecoflex membrane washers and (MTP) fixings
- 2 Hytherm tapered/flat board Insulation mechanically fixed with Ecoflex insulation washers and fixings (thickness to achieve design U-value and/or design fall)
- 3 Vernis Antac ST primer
- 4 Axter Vapour Control Layer
- 5 ECOFLEX Tubular Washer and mechanical fastener (MTP) fixing
- 6 Longitudinal /Transversal Lap Joint (with heat welded seam - 40mm)
- 7 Plywood substrate (by specialist subcontractor)



Do Not Scale. All dimensions to be checked on site by the Axtershield Installer

Axter provide detail drawings as part of our technical design service. Such drawings should only be used as a guide during the design process and should not be utilised during construction. Axter accepts no liability for misuse of this service.

PROJECT	AXTER - STANDARD DETAIL		DRAWING AXTER WARM ROOF - ECOFLEX FM SYSTEM TRANSVERSAL/LONGITUDINAL JOINT DETAIL - PLYWOOD SUBSTRATE			
	CLIENT	N/A	DWG.No WR.P.EF.fm.140	SCALE 1:5 @ A4	DATE 10.16	REV N/A



www.axter.co.uk
info@axterltd.co.uk
01473 724 056

Axter Ltd.
West Road, Ransomes Europark,
Ipswich, Suffolk, IP3 9SX